

TABLE OF CONTENTS

FABRIC

Furniture Fabric	4
Foam	38
Mesh & Netting	40
Awning Fabric	42
Marine Fabric	48
Vinyl & Window Material	52
Sailmaker's Leather	57
Headliner	58
Bag & Flag Cloth	59
Numbers & Insignia	59
Sailcloth	60

SEWING MACHINES

Sewing Machines	62
Accessories	74
Parts	80

SEWING NOTIONS

Needles	84
Notions	86
Thread	92
Twine	96

HARDWARE & TOOLS

Adhesives & Tapes	97
Cleaners, Protectants & Lubricants	99
Fasteners & Hooks	104
Frames & Fittings	118
Furling & Reefing	125
Grommets & Rings	128
Sail & Rigging	132
Upholstery Tools	147
Track & Roller Shades	148

SAILING GEAR

Gill Apparel & Foul Weather Gear	152
Gloves	176
Footwear	178
Sunglasses	179
Wallets	179
Headwear	180
Watches	181
Waterproof Storage	182
Bags	182
Electronics	184
Knives	186
Sail Repair	187

TRIMMINGS & CORDAGE

Binding & Facing	188
Leech Line	192
Shock Cord	192
Rope	193
Tapes	197
Velcro	200
Weather Stripping	201
Webbing	202
Welting & Piping	204
Wire	204
Zippers	206

PROJECTS & KITS

Sail Kits	209
Bags	210
Awnings	213
Biminis	214
Dodgers	216
Sail & Canvas Covers	218
Anchor Riding Sails	223
Furling & Reefing	224
Boat Safety	228
Flags	232

RESOURCES

Books	234
DVDs	237

APPENDIX

Fabric Care & Maintenance	240
Matching Thread Colors to Sunbrella	242
Thread & Needle Recommendations	244
Sail Hardware Compatibility Chart	245
Gill® Dot Fabric System™ Glossary & Sizing Chart	246
Rope Size & Selection Recommendations	247
Custom Sail Cover Measurement Form	248
Sail Measurement Form	249
Sailrite Order Form	251
Ordering & Payment Information	252

Index.....	253
------------	-----

FABRIC CARE & MAINTENANCE

SUNBRELLA® PRODUCTS

The best care for products made from Sunbrella® is FREE! Simply hose off once a month with clear water to prevent dirt buildup. Clean thoroughly every two to three years. Brush off loose dirt and hose down. Prepare a cleaning mixture of water and mild soap (303 Fabric/Vinyl Cleaner is endorsed by Sunbrella) and apply using a soft bristle brush. Let soak and then rinse thoroughly with hose. If size permits, machine wash using cold water and mild soap (Ivory Snow, Dreft, or Woolite). Let air dry. NEVER put Sunbrella® in a dryer. Do not dry clean.

If stubborn stains persist, use a diluted chlorine bleach/soap mixture for spot cleaning. Combine 4 oz. chlorine bleach (use non-chlorine bleach on Sunbrella® Plus to preserve top coat), 2 oz. natural soap, and 1 gallon of cold or lukewarm water (no more than 100°F). Clean with soft bristle brush and allow mixture to soak for up to 20 minutes. Rinse thoroughly and let air dry. Repeat if necessary. See the stain treatment chart for special instructions.

After a thorough cleaning, Sunbrella should be treated to restore water repellency. Once the fabric is dry, mist on a thin, even coat of 303 High Tech Fabric Guard to only the exposed sides of the fabric. Do not saturate the fabric. Let air dry and apply a second light coating. 303 Fabric Guard provides water repellency, UV protection, and repels soil and other oil based stains. After the Fabric Guard is applied, let the fabric dry in the sun.

Cleaning instructions and videos can be found under the Video and Resources tabs on Sunbrella product pages.

SEAMARK

Perform regular washings to enhance the life and beauty of the acrylic and make successive cleaning easier. Remove bird and tree droppings and loose dirt immediately using a vacuum with a brush attachment. Rinse thoroughly with warm water. Hand wash with soap (Ivory or Lux) in shade or partial shade and not direct sunlight if possible. Do not use detergent. Allow cleaner to soak for 10-20 minutes and scrub lightly with a soft nylon brush or terry cloth. Rinse thoroughly and let air dry. NEVER put Seamark fabrics in your dryer.

For stubborn stains, mix a solution of no more than 4 oz. bleach and 2 oz. of mild soap (Ivory or Lux) per gallon of water. Let soak for 20 minutes and scrub lightly. Rinse thoroughly to prevent streaking on painted or chrome surfaces.

SURLAST

For normal cleaning, add 2 oz. of mild soap (Wool-lite, Dreft, Ivory soap) to 1 gallon of water (less than 100° F). Clean with soft bristle brush. Rinse thoroughly with cold water and let air dry.

For stubborn stains, add a maximum of 1 cup of bleach to 1 gallon of water. Spray on lightly to the fabric “face” (non-coated side). Do not soak fabric. Prolonged exposure to harsh chemicals can damage the coating of the fabric. Rinse immediately. Do not leave on for more than 2 minutes. After cleaning with bleach, use 303 Fabric Guard to restore water repellency.

NAUGAHYDE PRODUCTS & VINYL

Mix a solution of 10% household liquid dish soap and warm water. Apply with a soft damp cloth or bristle brush to remove most soiling. For heavy soiling, dampen cloth with lighter fluid (naphtha) and rub gently. For difficult stains, use 10% household bleach, 90% water and puddle on spot for 30 minutes. Always rinse away residue with a water dampened cloth. Restore luster by applying a light coat of spray furniture wax for 30 sec. and buffing with a soft white cloth.

WEBLON

Keep clean by occasionally hosing with clear water to prevent dirt accumulation. Most dirt accumulation can be removed by mild soap, water and a soft scrub brush. Rinse thoroughly.

For stubborn stains, use a half strength bleach and brush the area softly. Let soak for 2-3 minutes and then thoroughly rinse with clear water (protect surrounding materials or plant growth that might be damaged by bleach).

SUNBRELLA® STAIN TREATMENT CHART	
BEER	Dishwashing liquid (2 oz.), white vinegar (3 oz.), 1 gal. water
BERRY	Dishwashing liquid (2 oz), ammonia (4-8 oz), 1 gal. water
BIRD DROPPINGS	Dishwashing liquid (2 oz), 1 gal. water or Goo Gone, Greased Lightening, or Clean Rite Purple Power
BLOOD (DRIED)	Dishwashing liquid (2 oz), ammonia (4-8 oz), 1 gal. water
BUTTER	Volatile solvent (acetone) 100%
CHARCOAL, PENCIL	Vacuum, then dishwashing liquid (2 oz), 1 gal. water
CATSUP, MUSTARD	Dishwashing liquid (2 oz), 1 gal. water
CHEWING GUM	Volatile solvent (acetone) 100%
CHOCOLATE	Dishwashing liquid (2 oz), ammonia (4 oz), 1 gal. water
COFFEE	Dishwashing liquid/water, white vinegar, volatile solvent (acetone)
COLA	Dishwashing liquid (2 oz), 1 gal. water
CRAYON	Paint, oil, or grease remover (mix as directed)
EGG (RAW)	Dishwashing liquid (2 oz), 1 gal. water
FOOD COLOR	Dishwashing liquid (2 oz), 1 gal. water, white vinegar (3 oz.)
GRAPE JUICE	Dishwashing liquid (2 oz), 1 gal. water
GRAVY	Dishwashing liquid (2 oz), 1 gal. water
GREASE (CAR)	Volatile solvent (acetone) 100%
INK (PERM., BALL POINT)	Paint remover (100%), volatile solvent (acetone) 100%, soap and water
IRON RUST	Carbona™ Stain Devil #9
LIPSTICK	Paint, oil, or grease remover (mix as directed)
MASCARA	Paint remover (100%), volatile solvent (acetone) 100%, dishwashing liquid (2 oz), 1 gal. water
MILDEW	1 cup bleach, dishwashing liquid (2 oz), 1 gal. water
MILK	Dishwashing liquid (2 oz), 1 gal. water
NAIL POLISH	Volatile solvent (acetone) 100%
OIL	Volatile solvent (acetone) 100%
ORANGE DRINK	Dishwashing liquid (2 oz), 1 gal. water
PAINT (WET, LATEX)	Dishwashing liquid (2 oz), 1 gal. water
PAINT (DRY, LATEX)	Paint, oil, or grease remover (mix as directed)
PAINT (OIL, LACQUER)	Paint, oil, or grease remover (mix as directed)
SHOE POLISH (LIQUID)	Volatile solvent (acetone) 100%
SHOE POLISH (WAX)	Apply heat iron over towel, volatile solvent (acetone) 100%
SUNTAN LOTION	Pine Power®, pine oil detergent, water (mix as directed)
TEA	Dishwashing liquid (2 oz), 1 gal. water
TOMATO JUICE	Dishwashing liquid (2 oz), 1 gal. water
TREE SAP	Turpentine (100%), dishwashing liquid (2 oz), 1 gal. water
URINE	Dishwashing liquid (2 oz), 1 gal. water, white vinegar (3 oz)
VOMIT	Dishwashing liquid (2 oz), 1 gal. water, white vinegar (3 oz)
WAX (CANDLE)	Apply heat iron over towel, volatile solvent (acetone) 100%
WINE	Dishwashing liquid (2 oz), 1 gal. water, ammonia (4-8 oz), white vinegar (3 oz)

PHIFERTEX PRODUCTS

Mix 1 Tbsp. liquid dish detergent and 2 Tbsp. household bleach in 1 gallon of water. Clean with sponge/cloth. Rinse thoroughly with clear water. Air dry. Clean immediately if in contact with suntan oils.

STAMOID®

IMAR products are endorsed by Ferrari Textiles for use on STAMOID vinyl. Spread material out on flat surface. Dampen with clear water and spray IMAR Stamoid Cleaner or add a diluted solution of soft soap liquid. Let soak for 2-3 minutes. Clean with soft bristle brush or sponge. After cleaning, apply IMAR Marine Vinyl Protective Cream to help extend fabric life. Clean and apply new cream every 2 to 3 months. For routine maintenance between cleanings, use IMAR STAMOID Marine Protective Spray to rejuvenate the Protective Cream and spot clean.

SHELTER-RITE

Periodic cleaning is needed to keep the coated fabric aesthetically pleasing and to retard fungus growth. Formula 409® All Purpose Cleaner, Mr. Clean products, Fantastik®, Spray Nine and Zep are recommended by the manufacturer and do not harm the vinyl coating.

We recommend using a cleaning solution diluted 1:1 with water. Apply with sponge, cloth, or spray directly onto vinyl. Allow to penetrate briefly and then rinse thoroughly with damp cloth or medium pressure spray gun. Repeat as necessary. Follow all safety precautions and suggestions on the label of the commercial cleaners. Use a mild bleach solution diluted 1:10 with water when fungus is present. Always rinse thoroughly.

TOP GUN™ & ODYSSEY III™

Finished to resist surface growth of mildew, but should not be folded and stored wet. Periodically remove dirt and bird droppings to prevent mildew growth. Clean with a solution of 4 oz. bleach and 2 oz. of mild soap in a one gallon of warm (no more than 100°F) water. DO NOT use detergent. Rub with a soft bristled brush and rinse thoroughly with clean water. Air dry. After thorough cleaning, restore water repellency on DRY fabric with an application of Aqua-Tite silicone water repellent.

ULTRALEATHER™

Cleans effortlessly with mild soap and water. Air dry or dry quickly with a hair dryer on warm setting. Use a mild detergent on most stains or a mild alcohol-based solution like Fantastik® or 409® for stubborn stains. Disinfect with a 5:1 bleach solution. Dry cleanable by conventional commercial dry cleaning solvents.

ULTRASUEDE®

Carefree. Consumers and designers alike appreciate how easy it is to keep looking beautiful. Maintain with regular, light brushing with a medium bristle brush. Periodically vacuum fabric and then dust gently with well-wrung damp cloth or sponge. Once completely dry, rejuvenate with gentle brushing.

Although inherently stain resistant, most stains can be removed with damp clean paper towel and lukewarm water. For oil-based stains, wipe up as much as possible (without spreading) with dry cloth or paper towel. Take two rags, one soaked in ethyl alcohol, the other clean and dry. Pat stained area from outside in with alcohol cloth, then pat loosed dirt and oil off with dry cloth. Repeat if necessary.

PLASTIPANE & KAL-GLAS

Restore plasticizer protection and add UV protection with 303 Aerospace Protectant. Before applying, rinse the vinyl with water. Clean with a soft cloth, mild detergent, and warm water. Rinse and let dry. Do not use paper towels to clean or dry as it may cause tiny scratches. Next, spray both sides of the vinyl with 303 Protectant and wipe completely dry with a soft cloth. 303 Protectant minimizes plasticizer evaporation, adds UV protection, protects against scratching, and leaves an optically enhanced finish for clearer vision.

STRATAGLASS & CRYSTAL CLEAR

IMAR products are the only cleaners and polishes endorsed by Strataglass™ as of September 2004. Use of any other product(s) voids the Strataglass factory warranty. DO NOT HANDLE STRATAGLASS WITH SUNSCREEN ON YOUR HANDS!

Remove any adhesive residue with 3M Adhesive Remover and conduct a final cleaning with IMAR Strataglass Protective Cleaner and IMAR Strataglass Protective Polish before installing any new Strataglass.

To clean, flush thoroughly with fresh water to cool the surface and rinse away environmental abrasives. Wash with IMAR Yacht Soap Concentrate. Apply the soapy water with a special purpose washing mitt or soft cotton cloth. Thoroughly rinse and completely dry the curtains with a high-quality chamois. Wash whenever your boat is washed.

After washing, apply IMAR Strataglass Protective Polish sparingly with small, light circular motions using a soft cotton cloth. Allow the polish to dry and then remove with a clean soft cotton cloth. Lightly buff to a sparkling shine. Protective Polish should be reapplied every 2-3 months. If the polish does not restore clarity and shine, it may be time to consider replacing the vinyl.

For routine maintenance between polishing, use IMAR Strataglass Protective Cleaner. Remove abrasives and then very lightly mist a soft cotton cloth. Lightly and briskly rub a manageably-sized area and then lightly buff dry with another clean cloth. We recommend using IMAR Strataglass Cleaner at least weekly, but it is so fast and easy you may want to do it daily.

DACRON SAILCLOTH

Sails are not easily cleaned. Even mechanical methods (large agitating tubs with carefully regulated water temperature designed specifically for sails) cause cloth breakdown which leads to greater stretch. Most sailmakers recommend frequent hosing with fresh water, or for a deeper clean, spread out the sail on a smooth, clean surface and brush it lightly with a mild detergent solution and rinse thoroughly.

The following methods (detailed in the Sail Repair Manual) can be used to remove or reduce spots and stains.

Rust: Soak the affected area in a 5% solution of oxalic acid dissolved in hot water. Follow with a 2% solution of hydrochloric acid in warm water and then rinse well with clear water.

Number Adhesive: Soak the area from the back side with 3M General Purpose Adhesive Cleaner until the adhesive can be rubbed away with a rag. Paint thinner, gasoline, or GooGone also work.

Oil, Tar, Varnish: Use trichloroethylene by itself or in a solution with a liquid detergent. Rinse well.

Mildew: Soak the area in a 1% solution of chlorine (or household bleach) and cold water. Vinegar will control mildew if used frequently. (Mildew will not grow on synthetic sailcloth but does grow on dirt that accumulates if moisture is present.)

Serious stains are difficult to remove completely and typically result in some discoloration.

After cleaning, dry completely and store in a cool, dry place.

MATCHING THREAD COLORS TO SUNBRELLA® FABRIC

SUNBRELLA® FABRIC	V-69 POLYESTER	V-92 POLYESTER	TENARA®
COLOR ITEM #	COLOR ITEM #	COLOR ITEM #	COLOR ITEM #
Black #4608, 6008, 8408	Black #20225	Black #100071	Black #104123
Cadet Grey #4630, 6030, 8430	White #20203	Steel #103026	Clear #16211
Charcoal Grey #4644	White #20203	Steel ¹ #103026	Clear #16211
Charcoal Tweed #4607, 6007	Black #20225	Black #100071	Black #104123
Silica Stone #4861-0000	Black #20225	Steel #103026	Clear #16211
Slate #4684, 6084	Black #20225	Black #100071	Black #104123
Smoke #4615	Black #20225	Black #100071	Black #104123
Taupe #4648, 6048	White #20203	White #100079	Clear #16211
Cocoa #4676	White #20203	Beaver ¹ #103031	Clear #16211
Beige #4620, 6020	White #20203	Beaver #103031	Clear #16211
Heather Beige #4672, 6072	White #20203	Beaver #103031	Clear #16211
True Brown #4621, 6021	Brown #20228	Brown #100075	Clear #16211
Tan #4614	White #20203	White #100079	Clear #16211
Tresco Ginger #4697	White #20203	White #100079	Clear #16211
Tresco Brass #4658	White #20203	Pebble Beige #100074	Clear #16211
Tresco Birch #4696	Brown #20228	Seal #100075	Clear #16211
Tresco Linen #4695	White #20203	Ashes #103025	Clear #16211
Linen Tweed #4654, 6054	Brown #20228	Seal #100075	Clear #16211
Mocha Tweed #4616	White #20203	White #100079	Clear #16211
Walnut Brown Tweed #4618	Black #20225	Seal ¹ #100075	Clear #16211
Silica Sesame #4860	White #20203	Pebble Beige #100074	Clear #16211
Silica Barley #4858	White #20203	Pebble Beige #100074	Clear #16211
Wheat #4674, 6074	White #20203	Pebble Beige #100074	Clear #16211
Toast #4628, 6028, 8428	White #20203	Ashes #103025	Clear #16211
Silica Dune #4859	White #20203	Ashes #103025	Clear #16211
Linen #4633, 6033	White #20203	Ashes #103025	Clear #16211
Parchment #4683, 6083	White #20203	Ashes ² #103025	Clear #16211
Oyster #4642, 6042, 8442	White #20203	Oyster #103027	Clear #16211
Silver #4651, 6051	White #20203	Nickel ² #100077	Clear #16211
Silica Silver #4862	White #20203	White #100079	Clear #16211
Natural #4604, 6044, 8404	White #20203	White #100079	White #10011
Spa #4673, 6073	White #20203	White #100079	Clear #16211
Sky Blue #4673, 6073	White #20203	Blue Wave #103030	Clear #16211
Capri #4675, 6075	Electric Blue ² #20227	Blue Wave ¹ #103030	Clear #16211
Sapphire Blue #4641, 6041	White #20203	White #100079	Clear #16211
Mineral Blue #4687	White #20203	White #100079	Clear #16211
Mediterranean Blue #4652, 6052	Electric Blue #20227	Blue #103033	Pacific Blue #100292 Clear #16211
Pacific Blue #4601, 6001, 8401	Electric Blue ³ #20227	Rhonda Blue #100076	Pacific Blue #100292 Clear #16211
Mediterranean Tweed #4653, 6053	Black #20225 Electric Blue #20227	Blue #103033	Pacific Blue #100292 Clear #16211
Royal Blue Tweed #4617, 6017, 8417	Black #20225	Rhonda Blue #100076 Black #100071	Pacific Blue #100292 Black #104123
Ocean Blue #4679, 6079, 8479	White #20203	Blue #103033	Clear #16211
Marine Blue #4678, 6078	White #20226	Derby Navy #103034	Clear #16211
Captain Navy #4646, 6046, 8446	White #20203	Derby Navy #103034	Clear #16211
Navy #4626, 6026	Navy ¹ #20226	Navy #100073	Clear #16211

SUNBRELLA® FABRIC	V-69 POLYESTER	V-92 POLYESTER	TENARA®
COLOR ITEM #	COLOR ITEM #	COLOR ITEM #	COLOR ITEM #
Alpine #4655, 6055	Black #20225	Black #100071	Clear #16211
Spruce Green #4656, 6056	Spruce Green #103321	Spruce #100078	Clear #16211
Forest Green #4637, 6037, 8437	Spruce Green #103321	Spruce #100078	Clear #16211
Sea Grass Green #4645	White #20203	Hunter ³ #100072	Clear #16211
Erin Green #4600	White #20203	Hunter #100072	Clear #16211
Persian Green #4643, 6043, 8443	White #20203	White #100079	Clear #16211
Turquoise #4610, 6010	White #20203	White #100079	Clear #16211
Aquamarine #4623, 6023, 8423	White #20203	Scarab #103035	Clear #16211
Aruba #4612	White #20203	Scarab ² #103035	Clear #16211
Fern #4671	White #20203	White #100079	Clear #16211
Ginkgo #4685	White #20203	White #100079	Clear #16211
Basil #4688	White #20203	White #100079	Clear #16211
Hemlock Tweed #4605, 6005	Black #20225	Spruce #100078 Black #100071	Black #104123
Aspen #4668	White #20203	White #100079	Clear #16211
Gold #4625	White #20203	White #100079	Clear #16211
Sunflower Yellow #4602, 6002	White #20203	Sunflower #103029	Clear #16211
Buttercup #4635	White #20203	Sunflower ² #103029	Clear #16211
Orange #4609	White #20203	White #100079	Clear #16211
Nutmeg #4686	White #20203	White #100079	Clear #16211
Tuscan #4677	White #20203	White #100079	Clear #16211
Pumpkin #4619	White #20203	White #100079	Clear #16211
Rust #4689	White #20203	White #100079	Clear #16211
Salmon #4627	White #20203	White #100079	Clear #16211
Logo Red #4666, 6066	Bishop Red ³ #103318	Scarlet #103032	Clear #16211
Jockey Red #4603, 6003, 8403	Bishop Red #103318	Bishop Red #100070	Clear #16211
Burgundy #4631, 6031, 8431	White #20203	Spring Wine #103024	Clear #16211
Black Cherry #4640	Black #20225	Black #100071	Clear #16211
Mahogany #4667	White #20203	White #100079	Clear #16211
Terracotta #4622, 6022	White #20203	White #100079	Clear #16211
Tresco Clay #4698	White #20203	White #100079	Clear #16211
Tresco Brick #4699	Brown #20228	White #100079	Clear #16211
Dubonnet Tweed #4606, 6006, 8406	Black #20225	Black #100071	Black #104123
Concord #4665, 6065	White #20203	Concord #103028	Clear #16211

¹ Hue Lighter ² Hue Darker ³ Shade Off
White thread can be used with any color. Colored polyester thread will fade over time.

GILL® DOT FABRIC SYSTEM™ GLOSSARY & SIZING CHART

After thorough testing, Gill ranks and classifies each fabric according to the Gill Dot Fabric System indicating the quality and suitability of the fabrics for end usage.

- | | | | | |
|----------------|----------------|---------------------|---------------------|----------------|
| 1 DOT™: | 2 DOT™: | 3 DOT™: | 4 DOT™: | 5 DOT™: |
| • Onshore | • Dinghy | • Offshore/ Coastal | • KB Racing | • Ocean Racing |
| • Mid Layer | • Inshore | • Overnight Sailing | • Offshore Cruising | • Dry Suits |
| • Softshell | • Day Sailing | | | |

Blind Stitched: Blind stitched wetsuits are glued initially, then sewn with a curved needle, which doesn't totally pierce the skin of the suit, and thus, the wetsuit remains watertight keeping you warmer and more comfortable in colder water.

Di-Guard: The high tenacity neoprene seat panel (and knee on full leg suits) protects against wear generated through contact with the boat. Strategically placed to resist abrasion and prolong the life of your suit.

Flatlock Stitched: Flatlock stitching lies flat against the skin and prevents chafing. This method results in a very durable finish.

Glideskin: Low-friction glideskin seal offers warmth, comfort against the skin, and protection from chaffing.

Slik Grip: A durable knee print for optimum traction on any surface in wet and dry conditions. Exclusive to Gill, this print extends down the shin area to offer improved grip and wear protection.

TPM: Thermal Protection Material is a high density neoprene that protects the upper torso against the cooling effects of the wind and water. The denser face of the fabric is solid and will reflect wind and water. There are two different types of TPM:

- **C-mesh** is a thicker neoprene with a raised loop back for comfort and warmth on the front and back chest. Strategically placed on the chest for maximum warmth and reduced wind-chill.
- **Gravel Skin** is a slightly thinner neoprene than C-mesh and stretchier for required movement around the shoulder areas. More durable than conventional neoprene to withstand harness abrasion.

X4 Flex Technology: Allows for complete freedom of movement and eliminates the need for uncomfortable underarm seams.

GILL® SIZING CHART

	XS	S	M	L	XL	XXL
MEN						
AVERAGE HEIGHT	5'2"-5'4" (158-163 cm)	5'4"-5'7" (163 - 170 cm)	5'7"-5'10" (170 - 178 cm)	5'10"-6'1" (178 - 186 cm)	6'1"-6'2" (186 - 188 cm)	6'2"-6'3" (188 - 191 cm)
CHEST	34"-36" (87-92 cm)	36"-38" (87-92 cm)	38"-40" (97-102 cm)	41"-43" (104-109 cm)	44"-46" (112-119 cm)	47"-49" (120-125 cm)
WAIST	28" (71 cm)	29"-30" (74-76 cm)	31"-33" (79-84 cm)	34"-37" (87-94 cm)	38"-40" (97-102 cm)	41"-43" (104-109 cm)
INSIDE LEG	29" (74 cm)	30" (76 cm)	31" (79 cm)	32" (81 cm)	33" (84 cm)	33.5" (86 cm)

All metric measurement are in centimeters and have been rounded to the nearest 0.5 cm

	UK	USA	EURO	8	10	12	14	16	18
WOMEN				4	6	8	10	12	14
				34	36	38	40	42	44
BUST	31.5"-32.5" (80-83 cm)	33"-34" (84-87 cm)	35"-36" (89-92 cm)	36.5"-37.5" (93-96 cm)	38"-39" (97-99 cm)	40"-41" (102-104 cm)			
WAIST	25"-26" (63-66 cm)	26"-27" (66-69 cm)	28"-29" (71-74 cm)	30"-31" (76-79 cm)	32"-33" (81-84 cm)	36"-37" (87-89 cm)			
HIPS	34.5"-35.5" (88-91 cm)	36"-37" (92-94 cm)	37"-38" (94-97 cm)	39"-40" (99-102 cm)	41"-42" (104-107 cm)	43"-44" (109-112 cm)			

Sizes based on the average height of 5'4"-5'6" (163-168 cm) and the average inside leg of 30"-32" (76-81 cm)

	SIZE AGE (YEARS)	JXXXS (2-3)	JXXS (4-5)	JXS (6-7)	JS (8-9)	JM (10-11)	JL (12-13)
JUNIORS							
HEIGHT	3'0"-3'2.5" (92-98 cm)	3'2.5"-3'5" (98-104 cm)	3'10"-4'0" (116-122 cm)	4'2.5"-4'5" (128-134 cm)	4'7"-4'9.5" (140-146 cm)	5'0"-5'2" (152-158 cm)	
CHEST	20"-21" (52-53 cm)	21"-23" (53-58 cm)	23.5"-24.5" (60-62 cm)	25"-26" (64-66 cm)	27"-28.5" (69-72 cm)	30"-32.5" (76-83 cm)	
WAIST	19"-19.5" (48.5-50 cm)	19.5"-20" (50-51 cm)	21.5"-22" (55-56 cm)	22.5"-23" (57-59 cm)	24"-25" (61-64 cm)	25"-27" (64-68 cm)	

FOOTWEAR																
EUROPEAN	33	34	35	36	37	38	39	40	41	42	43	44	45	46	47	48
UK & AUSTRALIA	1	2	2.5-3	3.5	4	5	5.5	6.5	7.5	8	9	9.5	10.5	11	12	13
US MEN	1	2.5	3	4	5	6	7	7.5	8	9	10	10.5	11	12	13	14
US WOMEN	3	4	5	6	7	8	9	9.5	10	11	12					

Manufactured in European sizes.

ROPE SIZE & SELECTION RECOMMENDATIONS

WHAT SIZE LINE?

The size and type of line depends on a number of factors including length of boat. The following information is intended as a guide only. Docking in exposed water, strong winds, or tides may require larger or additional lines.

Heavy, well-ballasted cruising boats need heavier lines than lighter cruiser/racers of similar length. Also, increased wind due to greater freeboard and top hamper in exposed locations requires making lines heavier. Always make sure that cleats, as well as cleats ashore, are able to handle the diameter of the line. It is better to double up a 3/8" or 1/2" line than try to cleat a 5/8" or 3/4" line on too small a cleat.

BOAT LENGTH	DOCK LINES	ANCHOR LINES	MOORING PENDANT
0'-20'	3/8"	3/8"	1/2"
20'-30'	1/2"	3/8"-1/2"	1/2"-5/8"
30'-35'	5/8"	1/2"-5/8"	5/8"-3/4"
35'-40'	3/4"	5/8"	3/4"-7/8"
40'-45'	3/4"-7/8"	5/8"-3/4"	7/8"-1"
45'-55'	7/8"-1"	3/4"-7/8"	1" or doubled
55'-65'	1" or doubled	7/8"-1"	1" or doubled

HOW MUCH LINE?

Genoa sheets are generally 1.5 times the length of a boat. For non-overlapping jibs, one boat length is usually enough. Spinnaker sheets are usually twice the length of a boat. We recommend measuring all other running rigging.

CHOOSING THE CORRECT LINE

1. Choose your application. (ex. Main Halyard)
2. Choose type of sailing. (ex. Cruising)
3. Select your boat size. (ex. 25 ft.)
4. Match color code for the best selection and diameter of line for given application.

To upgrade, modify your selection in 'Type of Sailing' category. In most cases, choosing a better performing line will substantially lower the stretch and allow you to reduce diameter by 10-15%. The net result will be a low-stretch line that is lightweight and will control sail shape more precisely.

- Sta-Set
- Sta-Set X
- ▶ Regatta Braid
- ◀ Salsa Line
- T-900
- ✦ Endura Braid
- ★ Spyderline

APPLICATION	TYPE OF SAILING	BOAT SIZE (FEET)							
		0-15	15-20	20-25	25-30	30-35	35-40	40-45	45-50
MAINSHEET	Cruising	5/16" ▶	5/16" ▶	3/8" ▶	3/8" ▶	3/8" ▶	3/8" ▶	1/2" ▶	1/2" ▶
	Club Racing	5/16" ●	5/16" ●	3/8" ●	3/8" ●	3/8" ●	3/8" ●	1/2" ●	1/2" ●
	Class Racing	1/4" ◀	5/16" ◀	5/16" ◀	5/16" ◀	3/8" ◀	3/8" ◀	7/16" ✦	7/16" ✦
JIB SHEET	Cruising	1/4" ●	5/16" ●	5/16" ●	3/8" ●	3/8" ●	3/8" ●	3/8" ●	1/2" ●
	Club Racing	1/4" ●	5/16" ◀	5/16" ◀	3/8" ◀	3/8" ◀	3/8" ◀	1/2" ✦	1/2" ✦
SPIN SHEET	Cruising	1/4" ●	1/4" ●	5/16" ●	5/16" ●	3/8" ●	3/8" ●	7/16" ✦	7/16" ✦
	Club Racing	1/4" ■	1/4" ■	5/16" ■	5/16" ■	3/8" ■	3/8" ■	3/8" ■	3/8" ■
LIGHT AIR SPIN SHEETS	Cruising	3/16" ★	3/16" ★	1/4" ■	1/4" ■	1/4" ■	5/16" ■	3/8" ■	3/8" ■
	Club Racing	3/16" ★	3/16" ★	1/4" ■	1/4" ■	1/4" ■	5/16" ■	3/8" ■	3/8" ■
TRAVELLER	Cruising	1/4" ▶	1/4" ▶	5/16" ▶	5/16" ▶	5/16" ▶	3/8" ▶	3/8" ▶	3/8" ▶
	Club Racing	1/4" ●	1/4" ●	5/16" ●	5/16" ●	5/16" ●	3/8" ●	3/8" ●	3/8" ●
AFTER GUY	Cruising	N/A	N/A	N/A	N/A	5/16" ■	3/8" ■	3/8" ■	1/2" ✦
	Club Racing	N/A	N/A	N/A	N/A	5/16" ◻	3/8" ◻	7/16" ◻	7/16" ◻
MAIN HALYARD	Cruising	1/4" ■	5/16" ■	5/16" ■	3/8" ■	3/8" ■	3/8" ■	1/2" ✦	1/2" ✦
	Club Racing	1/4" ◻	1/4" ◻	5/16" ◻	5/16" ◻	3/8" ◻	3/8" ◻	7/16" ◻	7/16" ◻
JIB HALYARD	Cruising	1/4" ■	5/16" ■	5/16" ■	3/8" ■	3/8" ■	3/8" ■	1/2" ✦	1/2" ✦
	Club Racing	1/4" ◻	1/4" ◻	1/4" ◻	5/16" ◻	5/16" ◻	3/8" ◻	3/8" ◻	7/16" ◻
SPIN HALYARD	Cruising	1/4" ●	1/4" ●	5/16" ●	5/16" ●	5/16" ●	3/8" ●	3/8" ●	7/16" ●
	Club Racing	1/4" ■	1/4" ■	1/4" ■	1/4" ■	5/16" ■	5/16" ■	3/8" ■	7/16" ✦
SPINNAKER TOPPING LIFT	Cruising	3/16" ●	3/16" ●	1/4" ●	5/16" ●	5/16" ●	3/8" ●	3/8" ●	7/16" ●
	Club Racing	3/16" ■	3/16" ■	1/4" ■	1/4" ■	5/16" ■	5/16" ■	5/16" ■	3/8" ■
FORE GUY	Cruising	3/16" ●	3/16" ●	1/4" ●	5/16" ●	5/16" ●	3/8" ●	3/8" ●	7/16" ●
	Club Racing	3/16" ■	3/16" ■	1/4" ■	1/4" ■	5/16" ■	5/16" ■	5/16" ■	3/8" ■

*Call for availability



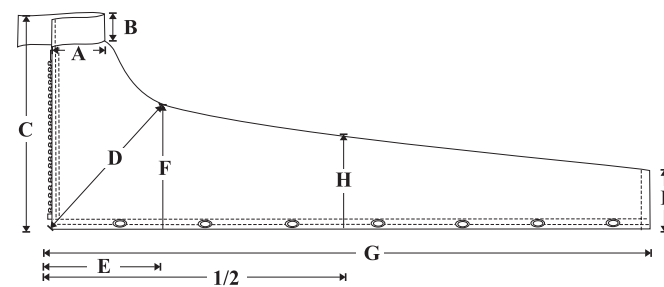
Sailrite Enterprises Inc.
 2390 E 100 S • Columbia City, IN USA 46725
 800.348.2769 (toll free) • 260.244.4647 (local)
 260.818.2005 (fax) • sailrite@sailrite.com
 www.sailrite.com

CUSTOM SAIL COVER MEASUREMENT FORM

Please provide accurate measurements for either your existing sail cover or the flaked sail when ordering a finished sail cover. These measurement are only required for finished covers, not kits.

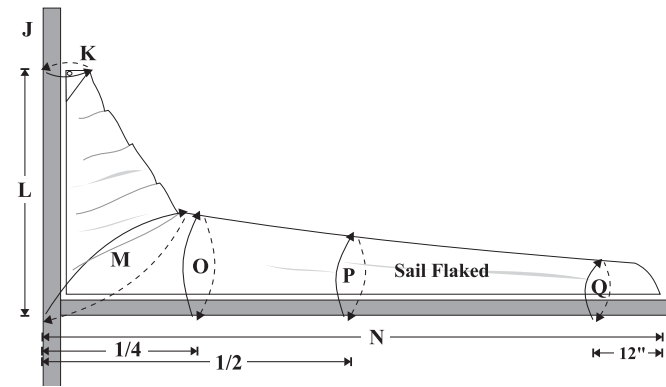
Type of Boat: _____

MEASURING AN EXISTING COVER



- _____ **A** Width of boot top
- _____ **B** Height of boot top
- _____ **C** Height of forward edge including boot top
- _____ **D** Length from lower forward corner to hollow in curve (location of curve is approximate)
- _____ **E** Length of cover where D intersects curve
- _____ **F** Height at E measurement
- _____ **G** Length of cover
- _____ **H** Vertical height at 1/2 of G measurement
- _____ **I** Height at aft end

MEASURING A FLAKED SAIL



- _____ **J** Mast circumference (all the way around the mast)
- _____ **K** Headboard and mast circumference
- _____ **L** Height to headboard (include boom)
- _____ **M** 45° Throat circumference
- _____ **N** Front of mast to sail end
- _____ **O** Circumference, 1/4 aft
- _____ **P** Circumference, 1/2 aft
- _____ **Q** Largest clew circumference at 12" from end

Please return completed form to Sailrite by mail to: 2390 East 100 South, Columbia City, IN 46725 USA, fax (260.818.2005), or e-mail (sailrite@sailrite.com). Remember a proper fitting sail is only as good as the measurements provided!

*Name: _____

Address: _____

*Phone: _____

*E-mail: _____

Order / Estimate Number (if applicable): _____

Comments: _____

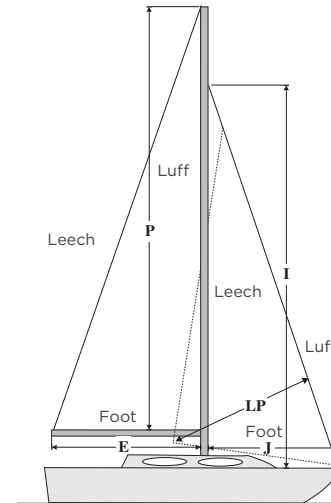
*Required



Sailrite Enterprises Inc.
 2390 E 100 S • Columbia City, IN USA 46725
 800.348.2769 (toll free) • 260.244.4647 (local)
 260.818.2005 (fax) • sailrite@sailrite.com
 www.sailrite.com

SAIL MEASUREMENT FORM

Sailrite's database of boat rig specifications is extensive and in most cases no further information is required to prepare a sail. However, if your boat's rig is custom or has been modified, please confirm all data. A proper fitting sail is only as good as the measurements used to cut the fabric. Sailrite recommends taking and recording accurate measurements to reference the next time a sail quote is needed.



- _____ **I** Height of foretriangle. Measured from the deck to the highest useful point on the forward side of the mast. Often the intersection of the forestay and the mast or the top of a spinaker block if mounted above the forestay. Prior to the IOR rule, this was defined as 'P2'.
- _____ **J** Base of foretriangle. Measured from the center of the stay at the stem to the front of the mast horizontal to the waterline.
- _____ **P** Longest reach of the mainsail along mast. Stretch is often limited by bands when measuring boats for racing.
- _____ **E** Longest reach of the mainsail along boom. An outer band is used to limit stretch for racing purposes. Prior to the IOR, this measurement was designated 'B.'
- _____ **Pmiz** Longest reach of the mizzen along its mast.
- _____ **Emiz** Longest reach of the mizzen along its boom.
- _____ **LP** Luff Perpendicular (based on J measurement). A line perpendicular to the luff and measured to the clew (shortest distance from the clew to the luff). A sail described as a 150% would have an LP length equal to 150% of J

HEADSAIL MEASUREMENTS

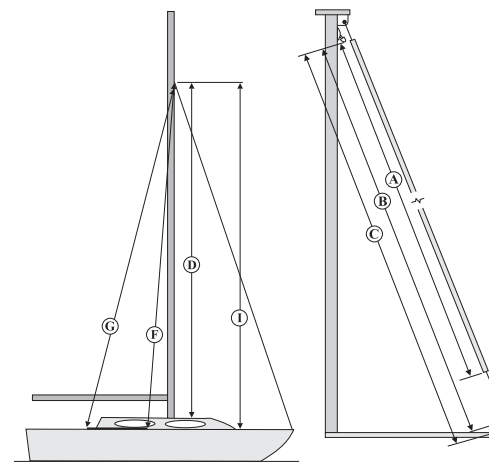
Hoisted Measurements

Use a tape rule hoisted on the jib halyard. If you have a furling unit, hoist the rule from the furling unit's swivel sail attachment point. Do not try to account for stretch.

Furling Unit / Tuff Luff Type:

Luff Tape Size (if known): _____ Model: _____

- _____ **A** To the feeder (furling units or tuff luff systems only)
- _____ **B** To the bearing surface on tack fitting (above the drum on furling units)
- _____ **C** To intersection of headstay & deck
- _____ **D** To cabin house at mast
- _____ **F** Pass tape around shrouds (as if the leech) then forward end of track and pull tight
- _____ **G** To the aft end of track
- _____ **I** See 'I' in General Rig Specifications above



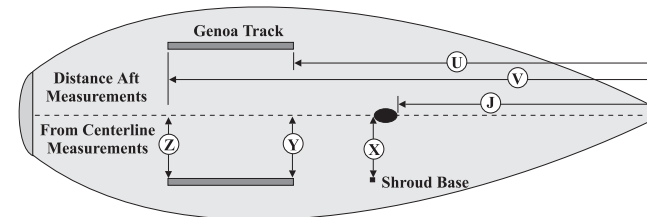
DECK LEVEL MEASUREMENTS

Measured Headstay - Aft:

- _____ **J** See 'J' in General Rig Specifications above
- _____ **U** To the forward edge of track
- _____ **V** To the aft end of track

Measured Centerline - Out:

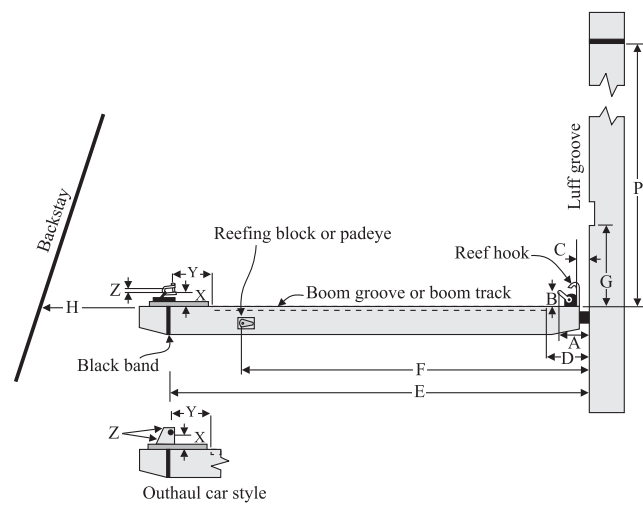
- _____ **X** To the shroud base
- _____ **Y** To the forward edge of track
- _____ **Z** To the aft end of track



MAINSAIL MEASUREMENTS

Check: Mainsail Mizzen

- A** Aft face of mast to bearing point of tack fitting
- B** Top of boom to bearing point of tack fitting
- C** Aft of face of mast to bearing point of reef hook (if any)
- D** Aft face of mast to start of groove or track
- E** Maximum foot length measured from aft face of mast to tightest/longest outhaul setting or to the inside of the black measurement band on the boom (indicate measurement method)
- F** From back of mast to reefing block or padeye (if any). Give measurements for all positions if more than one.
- G** Bottom of the luff groove or track to top of boom
- H** Measure from aft face of mast to backstay horizontally at boom level
- P** On main halyard, hoist a tape measure until it stops (i.e., to the sheave). From the sheave measure straight down to top of boom.
- X** From bearing point on outhaul car to top of boom
- Y** From black band to end of boom groove or boom track
- Z** Width of shackle jaw or clew attachment



STYLE & SIZE OF BOLTROPE, SLUG, OR SLIDE:

Boltrope (5/16")



Slug



- | | |
|--------------------------------|--------------------------------|
| Luff | Foot |
| <input type="checkbox"/> 5/16" | <input type="checkbox"/> 5/16" |
| <input type="checkbox"/> 3/8" | <input type="checkbox"/> 3/8" |
| <input type="checkbox"/> 7/16" | <input type="checkbox"/> 7/16" |
| <input type="checkbox"/> 1/2" | <input type="checkbox"/> 1/2" |

External Slide



- | | |
|-------------------------------|-------------------------------|
| Luff | Foot |
| <input type="checkbox"/> 5/8" | <input type="checkbox"/> 5/8" |
| <input type="checkbox"/> 7/8" | <input type="checkbox"/> 7/8" |

Internal Slide



- | | |
|-------------------------------|-------------------------------|
| Luff | Foot |
| <input type="checkbox"/> 5/8" | <input type="checkbox"/> 5/8" |
| <input type="checkbox"/> 3/4" | <input type="checkbox"/> 3/4" |
| <input type="checkbox"/> 7/8" | <input type="checkbox"/> 7/8" |

Please return completed form to Sailrite by mail to: 2390 East 100 South, Columbia City, IN 46725 USA, fax (260.818.2005), or e-mail (sailrite@sailrite.com). Remember a proper fitting sail is only as good as the measurements provided!

*Name: _____
 Address: _____

 *Phone: _____
 *E-mail: _____
 Order / Estimate Number (if applicable): _____

Comments: _____

*Required



SAILRITE ORDER FORM

Sailrite Enterprises Inc.
 2390 E 100 S • Columbia City, IN USA 46725
 800.348.2769 (toll free) • 260.244.4647 (local)
 260.818.2005 (fax) • sailrite@sailrite.com
 www.sailrite.com

BILLING ADDRESS

Name: _____
 Address: _____

 City: _____ State / Province: _____
 Zip / Postal Code: _____ Country: _____
 Daytime Phone Number: () _____ - _____
 (Please allow us to contact you with questions about your order.)
 Email Address: _____
 (Receive an e-mail shipping confirmation on the day your order ships.)

SHIPPING ADDRESS

Name: _____
 Address: _____

 City: _____ State / Province: _____
 Zip / Postal Code: _____ Country: _____
 Please send a Sailrite Catalog with my order.

ITEM #	ITEM DESCRIPTION	COLOR	SIZE	QTY	PRICE EACH	TOTAL PRICE

*Indiana apply 7% sales tax.

**Call for a shipping price if paying by check or money order, or if paying by credit card we can simply add the shipping charges.

SUB TOTAL	
SALES TAX*	
SHIPPING**	
TOTAL	

PAYMENT METHOD: (All prices stated in U.S. dollars)

- Credit Card Check (U.S. funds only) Money Order (U.S. funds only)

CREDIT CARD INFORMATION: (if applicable)

- Visa Mastercard Discover American Express

SHIPPING METHOD: (Call for delivery charges)

- U.S. Post Office UPS Ground UPS 2nd Day UPS Next Day

CREDIT CARD NUMBER:

CVV2 Security Code: _____ Exp. Date: ____ / ____
 (3 or 4 digit security code found on the front or back of card) (Month/Year)

Cardholder Name (print): _____

Cardholder Signature: _____

Order online, call between 8:00 AM-6:00 PM (EST/EDT) Monday-Friday, or send this order form to Sailrite. **Thank you!**

ORDERING & PAYMENT INFORMATION

HOW TO ORDER

By Phone:

Monday–Friday: 8 am–6 pm (EST/EDT)

phone **800.348.2769**
260.244.4647

fax **260.818.2005**

Online:

www.sailrite.com
sailrite@sailrite.com

By Mail:

Mail *Sailrite Order Form* p. 251 to:

Sailrite Enterprises, Inc.
2390 East 100 South
Columbia City, IN 46725
USA

SPECIAL ORDERS

If you think we may be able to get an item that is not in our catalog, please ask! We accept special orders, but they may not be returned.

Sailrite Accepts:



(Online Only)



Sailrite Ships:



PAYMENT METHODS

We accept credit cards (Visa, MasterCard, Discover, and American Express), checks, money orders, and wire transfers in U.S. funds. Orders paid by check will be held for approximately 10 days or until the check clears. In the event your check is dishonored or returned for any reason, you authorize us to electronically (or by paper draft) re-present the check to your bank account for collection of the amount of the check, plus a \$25.00 fee as permitted by state law.

Sorry, Sailrite does not ship cash on delivery (COD).

SHIPPING OPTIONS

Orders are typically shipped within 1 to 3 days of receipt on normal business days. For air shipments (UPS 2nd Day or Next Day), the order cutoff time is 12 noon EST/EDT for guaranteed departure that day. Air services count only business days, so if you place an order on Thursday before 12 noon EST/EDT and choose 2nd day air, your order will not arrive until Monday.

United States & Puerto Rico Delivery:

- **UPS Ground:**
2–5 business days (most locations)
- **UPS 2nd Day Air:**
2 business days (most locations)
- **UPS Next Day Air:**
End of the next business day (most locations)
- **U.S. Postal Service (Priority Mail):**
3–10 days (excluding Sundays). PO boxes and APO/FPO addresses accepted. Limited tracking.

International Delivery:

- **UPS Worldwide Express*:**
1–3 business days
- **UPS Worldwide Saver*:**
1–4 business days
- **UPS Worldwide Expedited*:**
2–5 business days
- **Post Office:**
Typically 7–14 days. Size and weight restrictions vary by country. No surface mail.

*See "Shipping Charges" for additional information.

SHIPPING CHARGES

Shipping charges can be calculated by phone, fax, or e-mail if a complete shipping address and order are supplied. Shipping estimates can also be found online for the items in your shopping cart by entering a country and a zip/postal code in your cart.

Sailrite does not offer third party billing.

- **International Shipping:** Our UPS Express, Saver, and Expedited rates include UPS brokerage fees. Any duties, taxes or additional fees (often categorized under brokerage fees) assessed by your country cannot be quoted and are your responsibility. Sailrite will provide adequate clearance documents to the carrier/broker. Should you be contacted by the carrier with a request for further documentation, please contact Sailrite immediately for supporting documentation. Some countries require the consignee to have an import license. It is your responsibility to determine whether a license is required based on the items purchased.

Sailrite is not responsible for any fees, charges, delays or problems caused by shippers, customs, or paperwork once the shipment leaves our dock.

- **Refused Shipment:** If for any reason you refuse a shipment, you will be responsible for delivery both ways plus a 10% restocking fee.

SHIPPING RESTRICTIONS

Flammable items can **ONLY** be shipped UPS Ground to the 48 contiguous United States.

With UPS, the maximum product length for shipping is 8 ft. (96") and maximum length and girth combined is 130". With U.S. Postal Service, maximum length and girth combined is 108" for U.S. shipments.

PO Boxes and APO/ FPO addresses can receive shipments from U.S. Postal Service only. UPS will not ship to these addresses.

RETURNS

Items may be returned within 30 days for a 90% refund less delivery (if a returned item received free shipping, shipping will be deducted from the refund). The item being returned must be in the same condition as it was sent, including all packaging. Apparel and accessories must have all original tags. A return authorization (RA) number is required to be printed on the outside of all packaging—call or email Customer Service with your CS# or INV# for an RA. No returns after 30 days.

Items that may NOT be returned: Special orders, sail kits, custom-made items, finished sails, Ultrasuede, Ultraleather, Foam, ATN Spinnaker Sock, guidebooks, samples, DVD's, gift certificates or any item that has been cut.

- **Damages / Defects:** If you discover a defect, call Sailrite within 7 days. If damage is incurred due to shipping, contact the carrier directly or call us within 7 days. Save all packaging as the carrier will need to see it. A claim cannot be made without it. No claims will be processed after 30 days.

BACKORDER POLICY

- **U.S. Orders:** Orders will be held up to 5 days to ship everything complete. If the backorder is expected to take longer, we will ship in-stock items and the backorder(s) when it arrives (no additional delivery charges if a backorder is sent separately).

- **International Orders:** Orders will be held up to 7 days to ship everything complete. Should an item on the order take longer to receive, we can either continue to hold the order until the backordered item(s) arrive or we can delete the item(s) from the order. In some cases we may also make substitute product suggestions.

ORDER TRACKING

Shipping confirmations with tracking numbers are sent when to a valid email address is provided as soon as the order is shipped. Packages shipped by UPS are trackable (www.ups.com). U.S. Postal Service offers limited tracking information (www.usps.com).

If a shipping confirmation email is not received, your order has not been shipped, the provided e-mail address was invalid, or the e-mail was blocked by your spam filter.

WARRANTIES

Warranties are the sole responsibility of the manufacturer. We will do all we can to expedite warranty claims but final determination of warranty adjustments rest with the manufacturer of the product.

• **No Hassle Guarantee:** We do our best to satisfy every order and request accurately and completely. If you are not satisfied with your order, please give us a call and we will try to make it right.

• **Prices:** Sailrite reserves the right to change prices if necessary due to price increases from original manufacturers. All prices are in U.S. dollars.

• **Colors:** We have made every effort to display the colors and textures of our products as accurately as possible, but we cannot guarantee 100% accuracy.

• **Personal Photos:** Any photos or letters we receive may be used in our catalog, website, or advertising unless otherwise informed.

• **Privacy:** Sailrite does not sell or trade our mailing list, nor do we offer any personal information to outside groups about our customers.

• **WARNING:** Some products may be fabricated from materials which may contain chemicals known to the State of California to cause cancer, birth defects or other reproductive harm.

INDEX

Symbols

#00 Grommet Kit **130**
2-Point Cam **70, 72**

3M

Dual Lock **200**
Fast Cure 5200 Adhesive **98**
Fast Tack Trim Adhesive **98**
Filament Strapping Tape **122**
General Purpose Adhesive Cleaner **101**
General Trim Adhesive **98**
Glass Cleaner **103**
Marine Mildew Resistant Silicone **98**
One Step Vinyl Cleaner & Restorer **103**
Reflective Safety Tape **198**
Stainless Steel Cleaner & Polish **102**
Super 77 Spray Adhesive **98**
Super Glue Gel **98**
Super Seam Tape **97**
Super Trim Adhesive **98**
White Grease Lithium **102**

3-Strand Rope **195**
3-Way Rail Corner Connector **120**
12 Volt Bible for Boats, The **234**
303 Aerospace Protectant **103**
303 Fabric Guard **99**
303 Fabric/Vinyl Cleaner **99**

A

Acrylic Basting Tape **97**
Acrylic Braid Soft Binding **190**
Acrylic Carpet Binding **191**
Acu-Cutter 350 Foam Cutter **38**
Add-a-Cleat **127**
Adhesive-Backed Insignia Material **59**
Adhesive-Backed Nylon Velcro **200**
Adhesive-Backed UV Dacron **198**
Adhesive Repair Tape **198**
Adhesives **98**
Adjustable Eye End **121**
Adjustable Palm **86**
Adjustable Support Poles **123**
Aerospace Protectant, 303 **103**
Air-Flow Tels **139**
Airx 700 Premium Spinnaker Cloth **61**
Allen Wrenches **76**
All Nylon Flat Sail Slides **132**
All Nylon Round Sail Slugs **132**
Allslip Slides **134**
Allslip Slugs **134**
Aluminum Adhesive-Backed Tape **198**
Anchor Riding Sail **223**
Anchor Riding Sail Kits **223**
Anchor Rode & Drogue Marker Kit **231**
Anodized Aluminum Headboards **138**
Anodized Aluminum Track **148**
Anything Foam **102**
Applicator Pads **99**
AquaGuard Water Repellent Zippers **208**
Aquadac Waterproof Cases **182**
Aqua-Tite **99**
Assembled Collapsible Struts **124**
ATN
Gale Sail **224**
Genoa Sleeve **226**
Mastclimber **228**
Spinnaker Sock **224**
Tacker **139**
Automotive Upholstery Handbook **235**
Awning Fabric **42-49**
Awning Hardware **118-119**
Awning Poles, Telescopic **123**
Awning Rope **192**
Awnings Are Easy **235**
Awning Track **148**

Ball Point Needles **85**
Ball & Socket Deck Hinges, TACO **122**
Ball & Socket Jaw Slides, TACO **122**
Ball & Socket Top Caps, TACO **122**
Banner Ups **117**
Barrel Lock Closures **115**
Basting Tape **97**
Batten Pocket End Protectors **141**
Battens **140-141**
Batting **39**
Beginner's Upholstery Techniques **236**
Belt Covers **82**
Belts, Sewing Machine **82**
Bendable Bright LED Light **74**
Big Book of Boat Canvas, The **234**
Big-N-Tail Sewing Machine **68-69**
Bimini Boot DVD **238**
Bimini Boot Kit **215**
Bimini DVD **238**
Bimini Kits **214-215**
Binder Attachments **77, 189**
Binding **188-191**
Binding Tape Maker **192**
Binnacle Cover DVD **238**
Binnacle Wheel Cover Kit **222**
Black Tramp Mesh **42**
Blocks **142-143**
Boat Awning Kits **213**
Boat Blanket **58**
Boat Blanket Protection Kit **219**
Boat Topping. See *Weblon Regatta*
Bobbin Box **90**
Bobbin Cases **83**
Bobbin Holder **90**
Bobbins **76**
Bobbin Winder **78**
Boeshield T-9 Rust & Corrosion Protection **102**
Boltrope **197**
Books **234-236**
Boom Vang Kit **145**
Bosun's Chair **228**
Bosun's Chair Kit **228**
Brass Thimbles **137**
Brion Toss's Splicing Wand **196**
Bronze Sew-On Jib Snaps **136**
Buckles **116**
Bullet Blocks **142**
Bungee Cord. See *Shock Cord*
Buoyancy Aid **169**
Button Forms **39**

Cam Buckle **116**
Camel Back Hinges **118**
Cam-Matic Ball-Bearing Cleats **144**
Cam-Matic Kits **144**
Canoe Rig: The Essence and the Art **234**
Canvas. See *Fabric*
Canvas Cleaners **99**
Canvas Clips **122**
Canvas Repair Kit **187**
Canvas Water Bucket **182**
Canvasworker's Guide **234**
Canvaswork & Sail Repair **234**
Caps **180**
Carabiner Hooks, Wichard **136**
Carbo Block **143**
Carbon Fibre C-Cleat Clam Cleat **144**
Carbo Ratchet Block **143**
Car Cover Flannel **52**
Caribbean Signal & Courtesy Flags Book **232**
Carpet Binding **191**
Carry-All Tote Bag Kit **210**
Carrying Case, Sewing Machine **65, 81**
Catamaran Battens **141**
Catamaran Clew Plate with Rivets **138**
CDI Deck Hardware & Furling Line **125**
CDI Flexible Furlers **125**
CDI Mainsail Reefing System **127**
Ceiling Bracket, RECMAR **150**
Ceiling Splicer, RECMAR **150**
Centerfold Binding **189**
Chalk, Marking **89**
Channeling Fabric **57**
Chapman Boater's Handbook **234**
Clamcleat **145**
Cleaners, Protectants & Lubricants **99-103**
Clear Acrylic Ruler **91**
Clear Vinyl. See *Window Material*

Cleats **144-145**
Clippers. See *Scissors*
Closed Clamcleat **145**
Clutch Motor **80**
Coated Outhaul Slugs **133**
Cogged Flywheel Belts **82**
Coil Zipper Chain **208**
Collapsible Struts **124**
Commercial Table Stands **78**
Common Sense Deluxe Lever Hand Punch **111**
Common Sense Eyelet Hole Cutter **111**
Common Sense Fasteners **110-111**
Common Sense Hand Punch **111**
Common Sense Stud Single Screw Driver **111**
Compass, Racing **185**
Complete Canvasworker's Guide, The **234**
Complete Rigger's Apprentice **235**
Complete Step-by-Step Upholstery **236**
Composition Wax Cup **96**
Computer Eights **59**
Contact Adhesive Cement **98**
Continuous Support Tape **197**
Continuous Zipper Chain **207**
Cording Presser Foot **74**
Cordura 1000 Nylon **59**
Cotton Duck **52**
Courtesy Flags Book **232**
Crescent Wrench **76**
Crimper Tool **123**
Cruiser's Spares, Ultrafeed **81**
Crystal Clear Window Material **53**
Curtain Grommets **149**
Curtain Hardware **149-151**
Curtain Roller Shade Kit **148**
Curtain Track **149-150**
Curtain Track End Stop, Recmar **151**
Curved Hand Needle Assortment **86**
Cushions DVD **238**
Cushion Underlining **39**
Custom Auto Interiors **235**
Custom Sail Kits **209**
Custom Sails **209**
Cuts+More 5-in-1 Multi-Purpose Scissors **88**
Cutting Blocks **109, 111, 129**
Cutting Foot, Engel Hotknife **146**
Cutting Mat **89**

Dacron Repair Tape **198**
Dacron Sailcloth **60**
Dacron Sail Tape **197**
Dacron Tramp Mesh **42**
Davis Black Max Wind Direction Indicator **183**
Deck and Hull Cleaner **100**
Deck Hardware & Furling Line **125**
Deck Mate Tool **186**
Deck Mount Plates **121**
Decorative Nails **116**
Deluxe Carrying Case **81**
Deluxe Magnetic Sewing Guide **91**
Deluxe Seam Ripper **90**
Deluxe Snap Fastener Anvil **105**
Deluxe Vinyl Embossed Weltung **204**
Die Sets **129**
DI Leather Needles **85**
Dinghy Rings **131**
Dinghy Sailing **234**
Ditty Bag Kit **210, 211**
Dodger DVD **238**
Dodger Kits **216-217**
Do-It-Yourself Books **234-236**
Domed SNAD Fasteners **113**
DOT Durable Snap Fasteners **106-107**
Double Adjustable Side Release Buckles **116**
Double Braid Nylon Rope **195**
Double Swivel Shackles with Pin, Wichard **135**
Draft Tape **198**
Drapery Hooks **149**
Drapery Lining **149**
Drapery Weights **149**
Drill Steady Tubing Tool **123**
D-Rings **130**
Dritz Assorted Needles **86**
Dritz Start-to-Sew Kit **87**
Drogue Cones **231**
Drogue Deployment Bag **231**

Droque Deployment Bag Kit **231**
Droque Kits **230**
Droque Marker Kit **231**
Dry Fast Foam **38**
Drysuits **163**
Drysuit Socks **178**
Dual Lock, 3M **200**
Duo-Fast Electric Stapler **147**
Duplex Outlet & Wiring **80**
Dura Skrim 2 Patterning Material **57, 122**
DVDs **238**

Easy Action Bent Scissors **88**
Easy Install Plastic Turn Fasteners **114**
Eisenglass. See *Window Material*
Elastic **141**
Elbow Connector **120**
Electric Stapler **147**
Electronic Foot Controls **80**
End Caps, Batten **140-141**
End Stop, Curtain **149**
End Tab **208**
Endura Braid Rope **194**
Engel Hotknife **146**
Ensolite Foam **38**
Ergonomic Thread Snips **88**
External Headboards **138**
External Sail Track Stops **134**
External Slides **134**
Eye Ends **121**
Eyelet Carriers **149**
Eyelet Die Sets **129**
Eyelet Grommets & Rings **128**
Eye Splices DVD **238**
E-Z Snap Zipper & Snap Lubricant, Iosso **102**

Fender Cover Kit. See *Boat Blanket Protection Kit*
Fender Hook **117**
Fiberglass Cleaners **100**
Fiberglass Mesh **41**
Fiberglass Oxidation Removal **100**
Fiberglass Reconditioner, Iosso **100**
Filament Strapping Tape, 3M **122**
File, Fine **76**
Finished Zippers **206**
Firesist **43**
Fittings, Frames **120-122**
Flag, Banner & Windsock Cleaner **99**
Flag Cloth **59**
Flag Construction Tape **232**
Flag Halyard Kits **232**
Flag Kits **232**
Flag Staff Socket **232**
Flex-A-Rail Track **148**
Flexible Base SNAD Fasteners **113**
Flexible Furlers **125**
Flywheels **82**
Foam **38**
Foam Cutter **38**
Foam Luff Pad **197**
Foam Repair **102**
Foot Controls **80**
Foot Lifting Treadle, Professional **71, 73**
Foot Treadle **78**
Footwear **178**
Foredeck Bag **212**
Foredeck Bag Kit **212**
Forged D Shackles **135**
Foul Weather Gear **152-163**
Frame Hardware **120-124**
Frame Kits **214, 217**
Furling Line Lead Hardware **127**
Furniture Fabric **4-36**

Fastener Selection Guide **104**
Fast Tack Trim Adhesive, 3M **98**
Feed Dogs **83**
Fender Cover Kit. See *Boat Blanket Protection Kit*
Fender Hook **117**
Fiberglass Cleaners **100**
Fiberglass Mesh **41**
Fiberglass Oxidation Removal **100**
Fiberglass Reconditioner, Iosso **100**
Filament Strapping Tape, 3M **122**
File, Fine **76**
Finished Zippers **206**
Firesist **43**
Fittings, Frames **120-122**
Flag, Banner & Windsock Cleaner **99**
Flag Cloth **59**
Flag Construction Tape **232**
Flag Halyard Kits **232**
Flag Kits **232**
Flag Staff Socket **232**
Flex-A-Rail Track **148**
Flexible Base SNAD Fasteners **113**
Flexible Furlers **125**
Flywheels **82**
Foam **38**
Foam Cutter **38**
Foam Luff Pad **197**
Foam Repair **102**
Foot Controls **80**
Foot Lifting Treadle, Professional **71, 73**
Foot Treadle **78**
Footwear **178**
Foredeck Bag **212**
Foredeck Bag Kit **212**
Forged D Shackles **135**
Foul Weather Gear **152-163**
Frame Hardware **120-124**
Frame Kits **214, 217**
Furling Line Lead Hardware **127**
Furniture Fabric **4-36**

Fasteners
Barrel Lock Closures **115**
Common Sense Fasteners **110-111**
Decorative Nails **116**
DOT Durable Snap Fasteners **106-107**
Easy Install Plastic Turn Fasteners **114**
Elastic **141**
Elbow Connector **120**
Electric Stapler **147**
Electronic Foot Controls **80**
End Caps, Batten **140-141**
End Stop, Curtain **149**
End Tab **208**
Endura Braid Rope **194**
Engel Hotknife **146**
Ensolite Foam **38**
Ergonomic Thread Snips **88**
External Headboards **138**
External Sail Track Stops **134**
External Slides **134**
Eye Ends **121**
Eyelet Carriers **149**
Eyelet Die Sets **129**
Eyelet Grommets & Rings **128**
Eye Splices DVD **238**
E-Z Snap Zipper & Snap Lubricant, Iosso **102**

FABRIC
Bag Cloth **59**
Boat Blanket **58**
Channeling Fabric **57**
Cordura 1000 Nylon **59**
Cotton Duck **52**
Cushion Underlining **39**
Dacron Sailcloth **60**
Drapery Lining **149**
Dura Skrim 2 Patterning Material **57**
Firesist **43**
Flag Cloth **59**
Headliners **58**
Hull Blanket **58**
Hull Liner **58Insignia Material **59**
Marine Topping **52**
Microfiber Fabric **36-37**
NASCAR Dacron Canopy Fabric **52**
Naugahyde All-American **56**
Naugahyde Nauga Soft **34**
Naugahyde Universal **56**
Odyssey III **51**
Odyssey III Softouch **51**
Patterning Material **57**
Phifertex Mesh **40**
Phifertex Plus Mesh **40**
Ripstop Spinnaker Cloth **61**
Sailcloth **60-61**
Sailmaker's Leather **57**
Samples **4**
Sea Mark **54**
Shelter-Rite **54**
Stamoid **55**
Sunbrella Awning **44-47**
Sunbrella Furniture Fabric **4-31**
Sunbrella Marine Grade **48-49**
Sunbrella Plus **48-49**
Sunbrella Shadow **33**
Sunbrella Sheer **33**
Sunbrella Supreme **50**
Sunbrella View Panorama **42-43**
Sunbrella Yachting Collection **22-31**
Sunforger Car Cover Flannel **52**
Surlast **51**
Thermozite **57**
Tonneau Cover **52**
Top Gun **50**
Trunkliner **58**
Ultraleather **34-36**
Ultrasuede Ambiance **36-37**
Weblon Regatta **55****

Window Material **53**
Fabric Care & Maintenance **240-241**
Fabric Guard, 303 **99**
Fabric Sample Books **21, 32, 47**
Fabric Samples **4**
Fabric/Vinyl Cleaner, 303 **99**
Facing **188**
Fairlead **127**
Fairlead Dead Eye **127**
Fast Cure 5200 Adhesive, 3M **98**

FASTENERS
Barrel Lock Closures **115**
Common Sense Fasteners **110-111**
Decorative Nails **116**
DOT Durable Snap Fasteners **106-107**
Easy Install Plastic Turn Fasteners **114**
Elastic **141**
Elbow Connector **120**
Electric Stapler **147**
Electronic Foot Controls **80**
End Caps, Batten **140-141**
End Stop, Curtain **149**
End Tab **208**
Endura Braid Rope **194**
Engel Hotknife **146**
Ensolite Foam **38**
Ergonomic Thread Snips **88**
External Headboards **138**
External Sail Track Stops **134**
External Slides **134**
Eye Ends **121**
Eyelet Carriers **149**
Eyelet Die Sets **129**
Eyelet Grommets & Rings **128**
Eye Splices DVD **238**
E-Z Snap Zipper & Snap Lubricant, Iosso **102**

FABRIC
Bag Cloth **59**
Boat Blanket **58**
Channeling Fabric **57**
Cordura 1000 Nylon **59**
Cotton Duck **52**
Cushion Underlining **39**
Dacron Sailcloth **60**
Drapery Lining **149</**

Grid Microfleece Zip Neck **171**
 Grip Sailing Gloves **177**
 Harness Rescue Multi-Tool **186**
 Helmsman Sailing Gloves **177**
 Hooded Pro Softshell Jackets **173**
 Hydrophobe Top **166**
 Hydrophobe Trousers **166**
 I2 Base Layer **170**
 I3 Performance Mid-Layer **170**
 I4 Fleece Mid-Layers **171**
 I4 Polar Jacket **171**
 I5 Crosswind Jacket **172**
 I5 Crosswind Salopettes **172**
 I5 Headwind Jacket **172**
 Impact Shorts **168**
 Inshore-Lite Jacket **158**
 Inshore-Lite Waist Trousers **158**
 Inshore-Sport Jacket & Vest **156**
 KBI Racer Jacket & Smock **159**
 KBI Racer Trousers **159**
 Knee Pads **168**
 Long Jon Wetsuit **164**
 Marine Rescue Knife **186**
 Marine Tool **186**
 Neoprene Socks **178**
 Neoprene Winter Gloves **177**
 OC Racer Jacket & Smock **152**
 OC Racer Trousers **152**
 One Design Hiking Boot **178**
 OS1 Jacket **153**
 OS1 Trousers **153**
 OS2 Jacket & Smock **155**
 OS2 Trousers **155**
 Performance Shorts **168**
 Personal Rescue Knife **186**
 Polarclava Headwear **180**
 Pro Cap & Visor **180**
 Pro Drysuits **163**
 Pro Hikers **164**
 Pro Racer Buoyancy Aid **169**
 Pro Sailing Gloves **176**
 Pro Salopettes **163**
 Pro Top **162**
 Quick Dry Sailing Towel **167**
 Race Cap **160**
 Race Jacket **160**
 Race Midlayer Softshell Smock **161**
 Race Padded Front Impact Hiking Shorts & Tights **160**
 Race Sailing Shorts **161**
 Race Smock **160**
 Race Softshell Jacket **160**
 Race Technical Tees **161**
 Race Vest **160**
 Race Waist Pants **160**
 Rash Guards **166-167**
 Rash Shorts **166**
 Regatta Master Watch II **181**
 Rolling Jumbo Bag **183**
 Sailing Cap **180**
 Sailing Gloves **176-177**
 Sail Jacket **173**
 Short Arm Wetsuit **164**
 Short Cruising Boots **178**
 Shorti Wetsuit **164**
 Skiff Boot **178**
 Softshell Jackets **173**
 Speedskin **165**
 Speedskin Long Sleeve Top **165**
 Spinnaker Jacket **172**
 Spray Top **163**
 Steamer Wetsuit **164**
 Sunglasses, Floating **179**
 Tarp Barrel Bag **183**
 Technical Tops **174**
 Technical UV Headwear **180**
 Three Season Neoprene Gloves **176**
 UV Rash Guard **166**
 UV Sport Rash Guards **167**
 UV T-shirts **168**
 Wallets **179**
 Waterproof All Weather Duffel Bag **183**
 Waterproof Sailing Shorts **168**
 Waterproof Waist High Trousers **156**
 Wetsuit Shorts **168**
 Windproof Fleece Hat **180**

H
 Hammer Style Mallet **129**
 Hammer Tacker **147**
 Handhold **139**
 Hand Needle Assortment **86**
 Hand Sewing Needles **86**
 Hanks **136**

HARKEN
 Blocks **142-143**
 Bosun's Chair **228**
 Bullet Blocks **142**
 Cam-Matic Ball-Bearing Cleats **144**
 Cam-Matic Kits **144**
 Carbo Block **143**
 Carbo Ratchet Block **143**
 Forged D Shackles **135**
 Handhold **139**
 Lazy Jack Systems **127**
 Micro Blocks **142**
 Protest Flag **186**
 Sailcloth Wallet **179**
 Sailing Gloves **177**
 Shackle Stainless Steel **134**
 Single Bullet Block **127**
 Small Boat Furling **125**
 Sunlasses **179**
 Twist Shackles **135**
 Wallets **179**

Hatch Canopy Kit **223**
 Hats **180**
 Headboards **138**
 Headliners **58**
 Head Rod Clamps **118**
 Head Rod Molding & Fittings **119**
 Heavy Duty Flanged Track **148**
 Heavy-Duty Tramp Mesh **42**
 Heavy Weight Nylon Webbing **202**
 Hembobs **93-96**
 HH-66 Thinner **98**
 HH-66 Vinyl Cement **98**
 Hidem Gimp **191**
 High Aspect High Modulus Sailcloth **60**
 High Rise Clincher Stapler **147**
 Hitchcraft Rope Ties **196**
 Hog Pliers **130**
 Hog Rings **130**
 Hole Cutters **109, 129**
 Holt Allen Nylon Sail Hanks **136**
 Hook & Loop **200**
 Hooks **117**
 Hoops **139**
 Horizontal Mount Curtain Track **149**
 Hotknife, Engel **146**
 Hotknife Tip, Weller **146**
 HSO Blade, Engel Hotknife **146**
 Hull Blanket **58**
 Hull Liner **58**
 Hypalon Glue Kit **98**

I
 I-Beam Curtain Track **150**
 IMAR STAMOID Marine Cleaner **103**
 IMAR STAMOID Marine Protective Cream **103**
 IMAR STAMOID Marine Protective Spray **103**
 IMAR Strataglass Protective Cleaner **103**
 IMAR Strataglass Protective Polish **103**
 IMAR Yacht Soap Concentrate **103**
 Industrial Bobbin Winder **78**
 Industrial Stapler **147**
 Insignia Material **59**
 Insulation Material. *See Thermozite Insulation*
 Integrated Thread Stand **90**
 Internal Sail Track Stops **134**
 International Signal Flag Kit **232**

Gill Sizing Chart **246**
 Glass Cleaner, 3M **103**
 Gloves **176-177**
 Glue **98**
 Glue Gun **147**
 Glue Kit for Hypalon Boats **98**
 Glue Kit for PVC Boats **98**

losso E-Z Snap Zipper & Snap Lubricant **102**
 losso Fiberglass Reconditioner **100**
 losso Flag, Banner & Windsock Cleaner **99**
 losso Metal Polish **102**
 losso Mold & Mildew Stain Remover **101**
 losso Safe-T-Solve **101**
 losso Seam Sealer **99**
 losso Teak Cleaner **102**
 ISAF Racing Flag Signals Label **186**

J
 Jacklines **229**
 Jam Cleat **145**
 Jaw End with Lag Screw **118**
 Jaw Slides **121**
 J Hook, RECMAR **151**
 Jib Sail Attachments **136**
 Jibsails: Design & Construction **236**
 Jib Snaps **136**
 Jiffy Grommets **128**
 Jiffy Reefing Kit **127**

K
 Kal-Glas Window Material **53**
 Keder Awning Rope **192**
 Keder Rail Strip **148**
 Kestrel Weather Meters **184**
 Kevlar Basting Tape **97**
 Kevlar Repair Tape **198**
 Kickstand, Ultrafeed **74**

KITS
 Anchor Riding Sail Kits **223**
 Bimini Boot Kit **215**
 Bimini Kits **214-215**
 Binnacle Wheel Cover Kit **222**
 Boat Awning Kits **213**
 Boat Blanket Protection Kit **219**
 Bosun's Chair Kit **228**
 Carry-All Tote Bag Kit **210**
 Ditty Bag Kit **210, 211**
 Dodger Kits **216-217**
 Drogue Deployment Bag Kit **231**
 Drogue Kits **230**
 Flag Kits **232**
 Foredeck Bag Kit **212**
 Frame Kits **217**
 Grab Rail Kit **124**
 Hatch Canopy Kit **223**
 Knee Pad Kit **218**
 Leather Spreader Boot Kit **219**
 Leather Steering Wheel Cover Kit **219**
 Luff Tape Conversion Kit **226**
 Rectangular Sail Cover Kit **222**
 Rigid Support Strut Kit **124**
 Roller Shade Clutch Kit **148**
 Sacrificial Sail Sun Cover Kits **227**
 Safety Tether Kits **229**
 Sail Cover Kits **221-222**
 Sail Duffie Bag Kit **210**
 Sail Pack Kits **220**
 Sail Tie Kit **202**
 Series Drogue Kits **230**
 Sheet Bag Kits **210**
 Shroud Turnbuckle Cover Kit **218**
 Signal Flag Kit **232**
 Sleeve (Sock) Furling Cover Kit **226**
 Spinnaker Launching Bag Kit **212**
 Spinnaker Sock Kit **224**
 Sun Cover Kits **227**
 Tether Kits **229**
 Throated Sail Cover Kit **221**
 Tiller Cover Kit **218**
 Tote Bag Kit **210**
 Trammel Safety Harness Kit **229**
 Webbing Strap Kit **202, 215**
 Winch Cover Kit **218**
 Window Kit **53**

K-Leg Foot Treadle **78**
 K-Leg Table Frame **78**
 Knee Pad Kit **218**
 Knee Pads **218**
 Knife Edge Bent Trimmers **88**
 Knives, Sailing **186**
 Knot Handbook **235**
 Knots for Boaters **235**

L
 Ladderlock Buckles **116**
 Laminated, Sailcloth **61**
 Lazy Jack Systems **127**
 Leather, Faux. *See Ultraleather*
 Leather Needles **85**
 Leather Presser Foot **75**
 Leather, Sailmaker's **57**
 Leather Skin Thimble **86**
 Leather Spreader Boot Kit **219**
 Leather Steering Wheel Cover Kit **219**
 Leech Line **192**
 Leech Line Cleat **145**
 Lifeline Base **120**
 Lifeline Hook **117**
 Lifeline Netting **41**
 Lifetime Thread **94**
 Lift-the-DOT Deluxe Hand Punch **109**
 Lift-the-DOT Fasteners **109**
 Lift-the-DOT Hand Punch **109**
 Light, Sewing Machine **74**
 Lightweight Bent Trimmers **88**
 Line (Rope) **193-195**
 L-Leg Foot Treadle **78**
 L-Leg Table Frame **78**
 Load-It LED Package **65**
 Long Arm Sewing Machines **68-69, 72-73**
 Long Nozzle Tip **147**
 Loop Loc **116**
 Low Aspect High Modulus Sailcloth **60**
 LS-1 Sewing Machines **62-64**
 LSZ-1 Sewing Machines **62-64**
 Luff Reinforcement **197**
 Luff Tape **197**
 Luff Tape Conversion Kit **226**

Metal Bobbins **76**
 Metal Clamcleat **145**
 Metal Polish **102**
 Micro Blocks **142**
 Microfiber Fabric **36-37**
 Mini Rope Ties **196**
 Mold & Mildew Stain Remover, losso **101**
 Monofilament Thread **95**
 Monofil **53, 61**
 Monster II Balance Wheel **74**
 Monster Rope Ties **196**
 Mosquito Netting **41**
 Motor Pulleys **82**
 Motors, Sewing Machine **80**
 Multi-Functional Screwdriver Set **76**
 Multi-Purpose Cleaners **101**
 Mylar/Kevlar Basting Tape **97**

M
 Magnetic Bobbin Holder **90**
 Magnetic Sewing Guide **91**
 Magnetic Thread Oiler **76**
 Mainsail Cover Kit **221-222**
 Ditty Bag Kit **210, 211**
 Mainsails: Design & Construction **236**
 Make Your Own Bimini Boot DVD **238**
 Make Your Own Bimini DVD **238**
 Make Your Own Binnacle Cover DVD **238**
 Foredeck Bag Kit **212**
 Frame Kits **217**
 Grab Rail Kit **124**
 Hatch Canopy Kit **223**
 Knee Pad Kit **218**
 Leather Spreader Boot Kit **219**
 Leather Steering Wheel Cover Kit **219**
 Luff Tape Conversion Kit **226**
 Rectangular Sail Cover Kit **222**
 Rigid Support Strut Kit **124**
 Roller Shade Clutch Kit **148**
 Sacrificial Sail Sun Cover Kits **227**
 Safety Tether Kits **229**
 Sail Cover Kits **221-222**
 Sail Duffie Bag Kit **210**
 Sail Pack Kits **220**
 Sail Tie Kit **202**
 Series Drogue Kits **230**
 Sheet Bag Kits **210**
 Shroud Turnbuckle Cover Kit **218**
 Signal Flag Kit **232**
 Sleeve (Sock) Furling Cover Kit **226**
 Spinnaker Launching Bag Kit **212**
 Spinnaker Sock Kit **224**
 Sun Cover Kits **227**
 Tether Kits **229**
 Throated Sail Cover Kit **221**
 Tiller Cover Kit **218**
 Tote Bag Kit **210**
 Trammel Safety Harness Kit **229**
 Webbing Strap Kit **202, 215**
 Winch Cover Kit **218**
 Window Kit **53**

K-Leg Foot Treadle **78**
 K-Leg Table Frame **78**
 Knee Pad Kit **218**
 Knee Pads **218**
 Knife Edge Bent Trimmers **88**
 Knives, Sailing **186**
 Knot Handbook **235**
 Knots for Boaters **235**

Meguiar's Oxidation Remover **100**
 Meguiar's Premium Marine Wash **100**
 Meguiar's Premium Marine Wax **100**
 Meguiar's Pure Wax **100**
 Meguiar's Quik Clean Marine **100**
 Meguiar's Quik Wax **100**
 Meguiar's Vinyl & Rubber Cleaner **103**

MESH & NETTING
 Fiberglass Mesh **41**
 Lifeline Netting **41**
 Mosquito Netting **41**
 Phifertex Mesh **40**
 Phifertex Plus Mesh **40**
 Polyester Bag Mesh **41**
 Polyester Mesh **41**
 Sunbrella Shadow **33**
 Sunbrella View **42-43**
 Trampoline Mesh **42**

N
 Nails, Decorative **116**
 NASCAR Dacron Canopy Fabric **52**
 Naugahyde All-American **56**
 Naugahyde Nauga Soft **34**
 Naugahyde Universal **56**
 Needle Assortment Pack **85**
 Needle Plates **83**

NEEDLES
 Hand Sewing Needles **86**
 Sewing Machine Needles **84-85**

Needle Threader **86**
 Neoprene Socks **178**
 Netting **41**
 New Boat Owner Essentials Kit **100**
 New England Classic Rope **195**
 New England Ropes **193-195**
 New England Spun Classic Rope **195**
 Newport Tell-Tale **139**
 Nicopress Installation Tool **137**
 Nicopress Sleeve **137**
 Nozzle Adapter **147**
 Numbers **59**
 Nylon Bag Cloth **59**
 Nylon Block Carrier, RECMAR **150**
 Nylon Flag Cloth **59**
 Nylon Piston Snaps **136**
 Nylon Ribbon **198**
 Nylon Tape **198**
 Nylon Upholstery Thread **95**
 Nylon Webbing **202**
 Nylon Wheel Carrier with Brass Ring, RECMAR **151**

O
 Odyssey III **51**
 Odyssey III Softtouch **51**
 Offset Ratcheting Screwdriver Set **76**
 Oil, Sewing Machine **76**
 One Step Vinyl Cleaner & Restorer, 3M **103**
 One Way Fasteners **105**
 One-Year Wonders **236**
 Order Form **251**
 Ordering & Payment Information **252**
 Osborne Hand Needles **86**
 Otis Permasol Cotton Duck **52**
 Oxidation Remover **100**

P
 Palm, Sail **86**

Patterning Material **57, 122**
 Pencil, Marking **89**
 Pentax Laminated **61**
 Permalock Non-Metal Fasteners **114**
 Phid **196**
 Phifertex Mesh **40**
 Phifertex Plus Mesh **40**
 Pillow Forms **39**
 Pillows, Shams & Bed Skirts DVD **238**
 Pinking Shears **88**
 Pins **90**
 Pipe Clamps **119**
 Piping **204**
 Piping Cord **204**
 Piston Snaps **136**
 Plain Grommets **128**
 Plastic Cover Hooks **117**
 Plastic Inserts **133**
 Plasti Dip Rubber Coating **101**
 Plastipane **53**
 Pocket Elastic **141**
 Pocket End Protectors, Batten **141**
 Point Hudson Phid **196**
 Polyester Bag Mesh **41**
 Polyester Batting **39**
 Polyester Mesh **41**
 Polyester Sheen Multi-Color Thread **95**
 Polyester Thread **92-93**
 Polyester Twine **96**
 Polyester Webbing **202**
 Polypropylene Webbing **203**
 Pony Clutch Clamps **122**
 Posi-Pin **81**
 Positraction Belts **82**
 Post Socket, Adjustable **119**
 Power Plus Wheel for MC-SCR System **79**
 Power Rail 2" Black Hook, YKK **201**
 Power Rail Holder, YKK **201**
 Power Twist V-Belt **82**
 Precision Control Battlestick Tiller Extensions **139**
 Pre-Cut Sail Numbers **59**
 Premium 3-Strand Nylon **195**
 Premium Cutting Blocks **129**
 Pres-N-Snap Dies **108**
 Pres-N-Snap Installation Tool **108**
 Presser Foot **74-75**
 Presser Foot Lifting Treadle **71, 73**
 Press-On Swedish Snaps **136**
 Pre-wound Bobbins **93-96**
 Professional 2-Point Cam **70, 72**
 Professional 20.5" Long Arm **72-73**
 Professional Grade Glue Gun **147**
 Professional Set-Up & Use DVD **237**
 Professional Sewing Machine **70-71**
 Project DVDs **238**
 ProStart, Velocitek **185**
 Protest Flag Kit **221-222**
 Pulleys, Motor **82**
 Pull-It-Up DOT Fasteners **112-113**
 Pull-It-Up Hole Cutters **112**
 Pull-It-Up Locking Key **112**
 Pull-the DOT (One Way) Fasteners **105**
 Pultruded Battens **141**
 Pure Wax **100**
 Push Pin **90**
 PVC Glue Kit **98**

RONSTAN
 Carbon Fibre C-Cleat Clam Cleat **144**
 Clear Start Watches **181**
 Cleat **145**
 Fairlead Dead Eye **127**
 Nylon Piston Snaps **136**
 Saddle **127**
 Series 30 Orbit Blocks **143**
 Sunglasses Strap **179**
 Swivel Shackles **135**
 Tiller Extensions **139**
 Track Slug & Slide **134**
 Ropes **193-195**
 Rope Size & Selection Recommendations **247**
 Rope Ties **196**
 Roping Presser Foot **75**
 Rotary Cutter **89**
 Rotary Hooks **83**
 Round Point Needles **85**
 Round Ring **130**
 Rubber Cutting Block **109, 111**

S
 Sacrificial Sail Sun Cover Kits **227**
 Saddle **127**
 Safe-T-Solve, losso **101**
 Safety Harness Kit **229**
 Safety Hook **117**
 Safety Tape **198**
 Safety Tether Kits **229**
 Safety Tethers **229**
 Sail Battens **140-141**
 Sail & Canvas Repair Kit **187**
 Sailcloth **60-61**
 Sail Cover Hooks **117**
 Sail Cover Kit **221-222**
 Sail Cover Measurement Form **248**
 Sail Duffie Bag **182**
 Sail Duffie Bag Kit **210**
 Sail Hanks **136**
 Sail Hardware Compatibility Chart **245**
 Sailing Boots **178**
 Sailing Gloves **176-177**
 Sailing Shorts **168**
 Sailing Watches **181**
 Sail Kits **209**
 Sailkote **101**
 Sail Line Cleat **145**
 Sailmaker's Apprentice **235**
 Sailmaker's Leather **57**
 Sailmaker's Library **236**
 Sailmaker's Series, The **237**
 Sail Measurement Form **249-250**
 Sail Numbers **59**
 Sail Pack DVD **238**
 Sail Pack Kits **220**
 Sail Quotes **209**
 Sail Repair Kit **187**
 Sail Repair Kits **187-188**
 Sail Repair Manual **235**
 Sail Repair Tapes **198**
 Sailrite 111 Set-Up & Use DVD **237**
 Sailrite 111 Sewing Machine **66-67**
 Sailrite Big-N-Tall Set-Up & Use DVD **237**
 Sailrite Big-N-Tall Sewing Machine **68-69**
 Sailrite Cap **180**
 Sailrite Instructional DVDs **238**
 Sailrite Order Form **251**

Q
 Quick-Fit Kit **115**
 Quick Release Deck Hinge **121**
 Quick Release Pin Frame Fittings **120**
 Quik Clean Marine **100**

R
 Rash Guards **166-167**
 R Blade, Engel Hotknife **146**
 RECMAR Curtain Hardware **150-151**
 RECMAR Curtains **150**
 RECMAR Deluxe Shower Curtain Kit **151**
 Recmar Plastream Sail Battens **140**
 Rectangle Base **120**
 Rectangular Sail Cover Kit **222**
 Reflective Safety Tape, 3M **198**
 Reflex Foam **38**
 Regatta Braid Rope **194**
 Regatta Lite Rope **194**
 Reinforced Monofilm **61**

Repair Tapes **198**
 Retaining Ring Cap Spring **81**
 Retaining Ring Clips **81**
 Re-Upholster Your Own Chair DVD **238**
 Reverse Stop & Lock Knob **81**
 Revolving Punch & Replacement Tubes **129**
 Rheostat Carbon Pile Foot Control **80**
 Rigging Tape **198**
 Rigid Support Strut Kit **124**
 Rings **130**
 Ripstop Nylon Tape **198**
 Ripstop Spinnaker Cloth **61**
 Rivets **122, 138**
 Rivet Tool **122**
 Rod & Rafter Holders **118**
 Roller Furling Bail **127**
 Roller Furling Fairlead **127**
 Roller Shade Clutch Kit **148**

RONSTAN
 Carbon Fibre C-Cleat Clam Cleat **144**
 Clear Start Watches **181**
 Cleat **145**
 Fairlead Dead Eye **127**
 Nylon Piston Snaps **136**
 Saddle **127**
 Series 30 Orbit Blocks **143**
 Sunglasses Strap **179**
 Swivel Shackles **135**
 Tiller Extensions **139**
 Track Slug & Slide **134**
 Ropes **193-195**
 Rope Size & Selection Recommendations **247**
 Rope Ties **196**
 Roping Presser Foot **75**
 Rotary Cutter **89**
 Rotary Hooks **83**
 Round Point Needles **85**
 Round Ring **130**
 Rubber Cutting Block **109, 111**

S
 Sacrificial Sail Sun Cover Kits **227**
 Saddle **127**
 Safe-T-Solve, losso **101**
 Safety Harness Kit **229**
 Safety Hook **117**
 Safety Tape **198**
 Safety Tether Kits **229**
 Safety Tethers **229**
 Sail Battens **140-141**
 Sail & Canvas Repair Kit **187**
 Sailcloth **60-61**
 Sail Cover Hooks **117**
 Sail Cover Kit **221-222**
 Sail Cover Measurement Form **248**
 Sail Duffie Bag **182**
 Sail Duffie Bag Kit **210**
 Sail Hanks **136**
 Sail Hardware Compatibility Chart **245**
 Sailing Boots **178**
 Sailing Gloves **176-177**
 Sailing Shorts **168**
 Sailing Watches **181**
 Sail Kits **209**
 Sailkote **101**
 Sail Line Cleat **145**
 Sailmaker's Apprentice **235**
 Sailmaker's Leather **57**
 Sailmaker's Library **236**
 Sailmaker's Series, The **237**
 Sail Measurement Form **249-250**
 Sail Numbers **59**
 Sail Pack DVD **238**
 Sail Pack Kits **220**
 Sail Quotes **209**
 Sail Repair Kit **187**
 Sail Repair Kits **187-188**
 Sail Repair Manual **235**
 Sail Repair Tapes **198**
 Sailrite 111 Set-Up & Use DVD **237**
 Sailrite 111 Sewing Machine **66-67**
 Sailrite Big-N-Tall Set-Up & Use DVD **237**
 Sailrite Big-N-Tall Sewing Machine **68-69**
 Sailrite Cap **180**
 Sailrite Instructional DVDs **238**
 Sailrite Order Form **251**

Turnbuckle Cover **218**
 Turnbuckle Cover Kit **218**
 Twine **96**
 Twisted Manila Line **192**
 Twist-Lock Fasteners **110-111**
 Twist Pins **90**
 Twist Shackles **135**
 Tylaska Dual Cavity Snap Fastener
 Installation Die **111**

U

Ultimate Mobile Sewing Station **65**
 Ultrafeed Accessories 3-Pack **65**
 Ultrafeed Advanced Maintenance
 DVD **237**
 Ultrafeed LS-1 & LSZ-1 Guidebook **237**
 Ultrafeed Needle Assortment Pack **74**
 Ultrafeed Set-Up & Use DVD **237**
 Ultrafeed Sewing Machine Motors **80**
 Ultrafeed Sewing Machines **62-64, 62-65**
 Ultrafeed Table Top & Stand **78**
 Ultraleather **34-36**
 Ultrasuede Ambiance **36-37**
 Universal Deck Hinge **121**
 Universal Tee Connector **120**
 Upholstery: A Beginners Guidebook
236
 Upholstery Hand Needle Assortment
86
 Upholstery Pro Kit **147**
 Upholstery Starter Kit **147**
 Upholstery Thread **95**
 Upholstery Tools **147**
 Urethane Coated Ripstop Nylon **61**
 UV Coated Dacron **60**
 UV Dacron Sail Tape **197**
 UV Insignia Sun Cover Kits **227**
 UVR Polyester Thread **92-93**

V

Velcro **200**
 VELCRO Cement **200**
 VELCRO Circles **200**
 Velocitek Lashplate Mounting Bracket
185
 Velocitek Mast Mounting Bracket **185**
 Velocitek ProStart **185**
 Velocitek Speed Play Software Card
185
 Velocitek SpeedPuck **185**
 Vent-Aire Ventilator **124**
 Vertical Clamcleat **145**
 Vertical Mount Curtain Track **149**
 Videos **238**
 Vinyl Binding Tape **190**
 Vinyl Cleaners **103**
 Vinyl Extruded Awning Rope **192**
 Vinyl Headliners **58**
 Vislon Zippers **206-208**

W

Wall Bracket, RECMAR **151**
 Wallets **179**
 Wall Splicer, RECMAR **151**
 Washable Blue Wonder Marker **89**
 Watches **181**
 Water Magnet Towel **99**
 Waterproof Boxes **182**
 Waterproof Cases **182**
 Water Repellent Zippers **208**
 Wax, Composition **96**
 Wax, Fiberglass **100**
 Weather Meters **184**
 Weather Stripping **201**
 Webbing **202-203**
 Webbing Slider **116**
 Webbing Strap **202, 215**
 Webbing Strap Kit **202, 215**
 Weblon Binding **190**
 Weblon Regatta **55**
 Weller Hotknife Tip **146**
 Weller/Portasol Hotknife **146**
 Weller Soldering Iron **146**
 Weiting **204**
 Wetsuits **164-165**
 White Grease Lithium, 3M **102**
 White Plastic Hoops **133**
 Wichard Carabiner Hooks **136**
 Wichard Double Action Safety
 Hook **117**

Wichard Double Swivel Shackles with
 Pin **135**
 Wichard Sail Snaps **136**
 Wichard Snap Shackles **135**
 Winch Cover **218**
 Winch Cover Kit **218**
 WinchRite **184**
 Wind Direction Indicator **183**
 Windlace **192**
 Window Kit **53**
 Window Material **53**
 Wire Cover Hooks **117**
 Wire Rope **204**
 Wire/Rope Thimble **137**
 Wm & Smith Co. Hand Needles **86**
 Wrinkle Band Hooks, RECMAR **150**
 Wrinkle Band Tape (Shirring Tape)
150

X

Xtreme Seal **201**

Y

Yachtsman Sail Repair Kit **187**
 Yacht Soap Concentrate **103**
 YKK Aquaguard Zippers **208**
 YKK Coil Sliders **208**
 YKK Continuous Coil Zipper Chain
208
 YKK Continuous Vislon Zipper Chain
207
 YKK Power Rail 2" Black Hook **201**
 YKK Power Rail Holder **201**
 YKK Power Rail System **201**
 YKK Zippers **206-208**
 YKK Zipper Sliders **207**
 YKK Zipper Stops **207**

Z

Zigzag Roller Presser Foot **75**
 Zipper Lubricant **102**
 Zipper Presser Foot **75**
 Zipper Pull Tabs **208**
 Zippers **206-208**
 Zipper Sliders **207**
 Zipper Stops **207**
 Zippy Cool Kit **102**

SEE WHAT OTHER SAILRITE FANS ARE SAYING

"I have always been pleased with Sailrite, from availability of products to customer service. The training videos are very helpful for a novice like me, and I appreciate knowing there are PEOPLE I can talk to if I need to. Good Job Sailrite!"

- Elizabeth, October 8, 2011

"Sailrite is my only source for canvas sewing supplies and tools. The products are excellent, shipping is reliable, and if ever you need customer service it is the best."

- Spinydogfish, September 28, 2011

"I want to thank you for the great customer service, I feel confident in my recommendations of Sailrite to a number of my friends...It is totally refreshing and reassuring to deal with talented, knowledgeable individuals who communicate clearly, concisely, and accurately!"

- Carol, July 8, 2011

"Can't begin to say how perfectly happy I am with your customer service, delivery time, professional advice and product! Every part of my sail kit fit together exactly...Totally satisfying. Thanks!"

- George, May 9, 2011

"Your company allowed us success as your education and customer service is top notch. I did use online chat a couple of times and it was timely and helpful. Your shipping was correct and on time. I will recommend your company to any other would be sewing sailors. Keep up the great work!"

- Kathy & Tony, January 30, 2011

