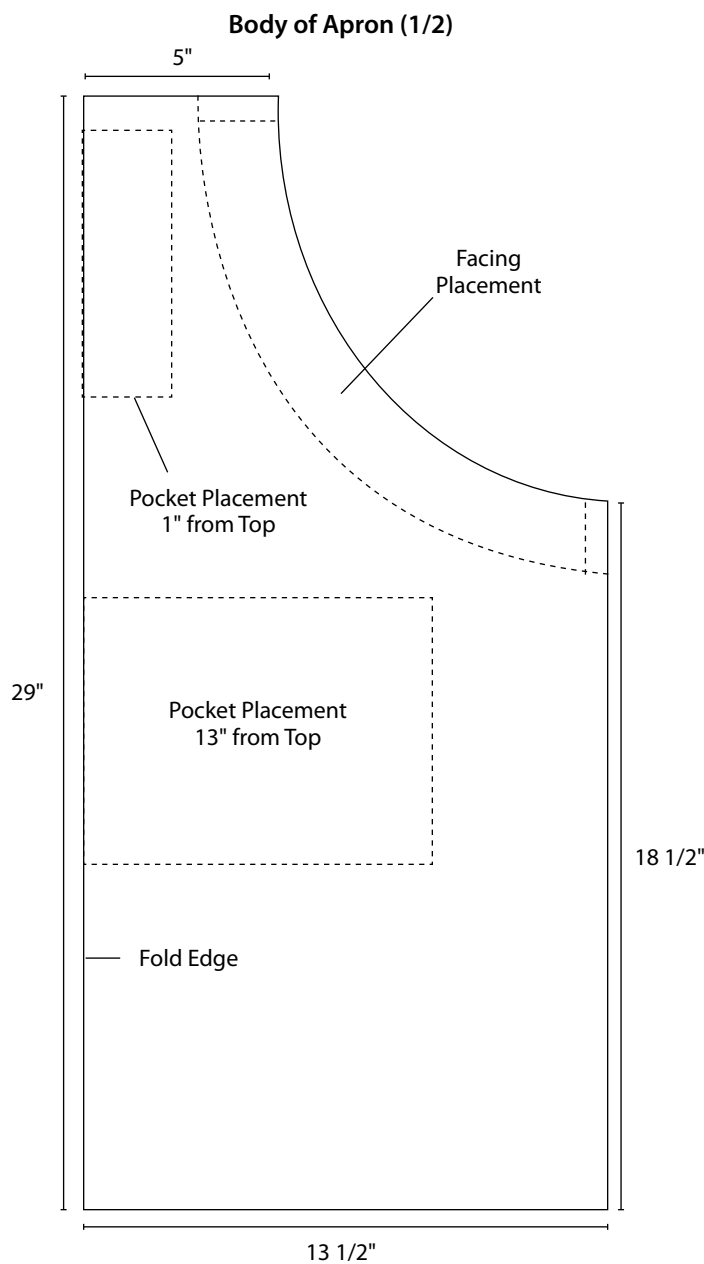
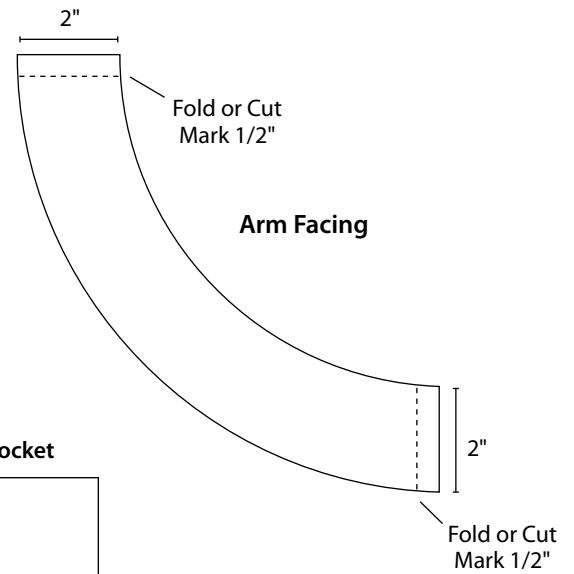
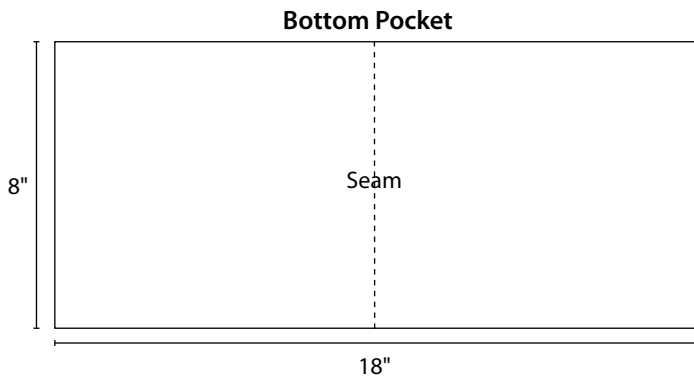


Aprons

Instructions & Template

Materials Needed:

- Fabric: 1 yd. (body) + 1/4 yd. (pocket)
- 13' Binding (Edges)
- 12' Webbing (Tie Cord)



2390 East 100 South
 Columbia City, IN 46725
 800.348.2769 | 260.244.4647
www.sailrite.com