

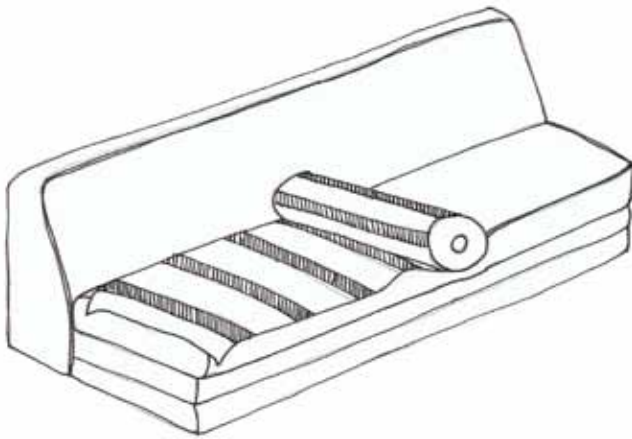
# Railroaded Fabric

## Reduce Seaming with Railroaded Fabric

Most upholstery fabric is 54 inches wide and, if it features a pattern, the pattern is run down the length of the bolt. When upholstering, it generally looks best to run a patterned fabric from the top to the bottom of the piece and from the back to the front. This requires seams every 54 inches on larger pieces like sofas and long boat cushions. Alternatively, a Railroaded fabric pattern can be used to eliminate unwanted seams. The patterns on railroaded fabrics run across their widths making it perfect for longer projects!

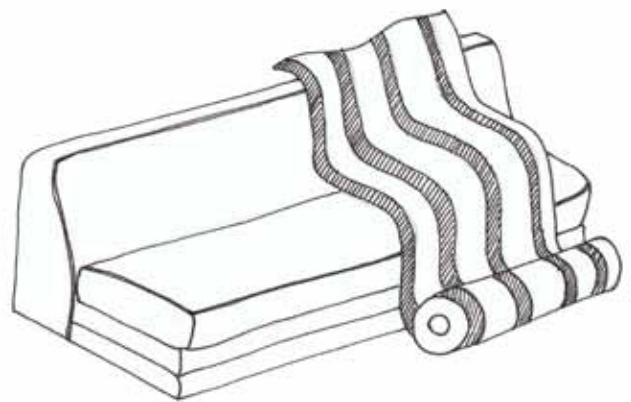
### RAILROADED FABRIC

**RAILROADED FABRIC** can cover long cushions without need for a seam. Notice how it comes off the roll.



### NON-RAILROADED FABRIC

**NON-RAILROADED FABRIC** rolls out vertically and would require several seams to cover a sofa.



www.sailrite.com  
800.348.2769