



SAILRITE

Est. 1969

Equipping you to sew at home & on the water

SAILRITE FABRICATOR SCHEMATICS

MACHINE ARM & BED	2
ARM AND VERTICAL SHAFTS, NEEDLE BAR THREAD TAKE-UP PARTS	3
FEED DOG LIFT AND FEED AND THREAD LOOPING	4
FEED MECHANISM	5
PRESSER FOOT	6
UPPER FEED PARTS	7
OIL PUMP	8
OIL RESERVOIR & ACCESSORIES	9



Sailrite Enterprises, Inc.

2390 East 100 South, Columbia City, IN 46725

Phone (800) 348-2769 / (260) 244-4647

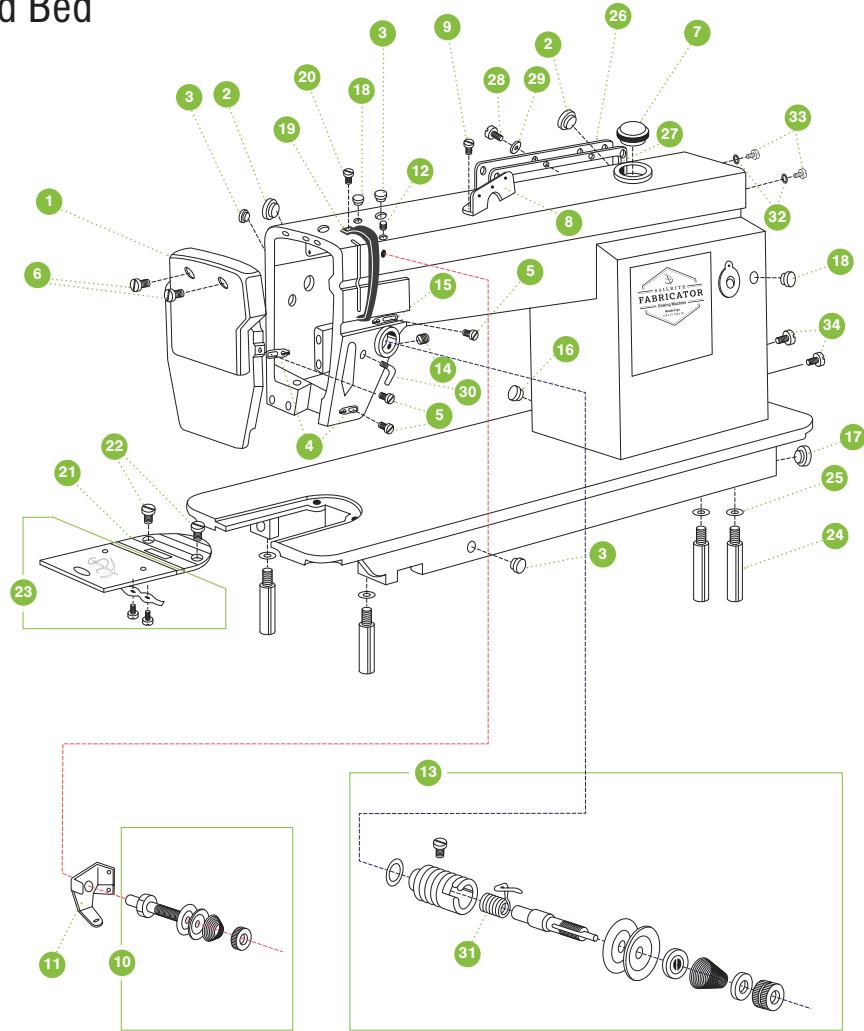
Fax (260) 818-2005

Email info@sailrite.com

Sailrite.com

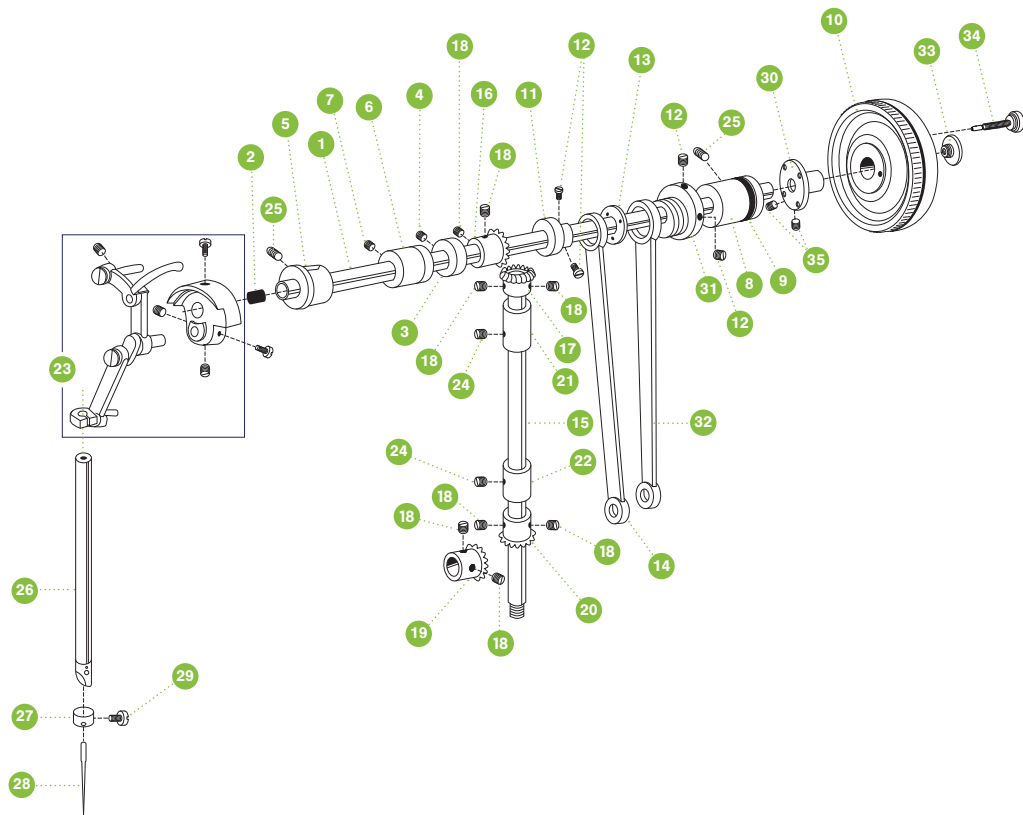
© 2017 Sailrite Enterprises, Inc.

Machine Arm and Bed



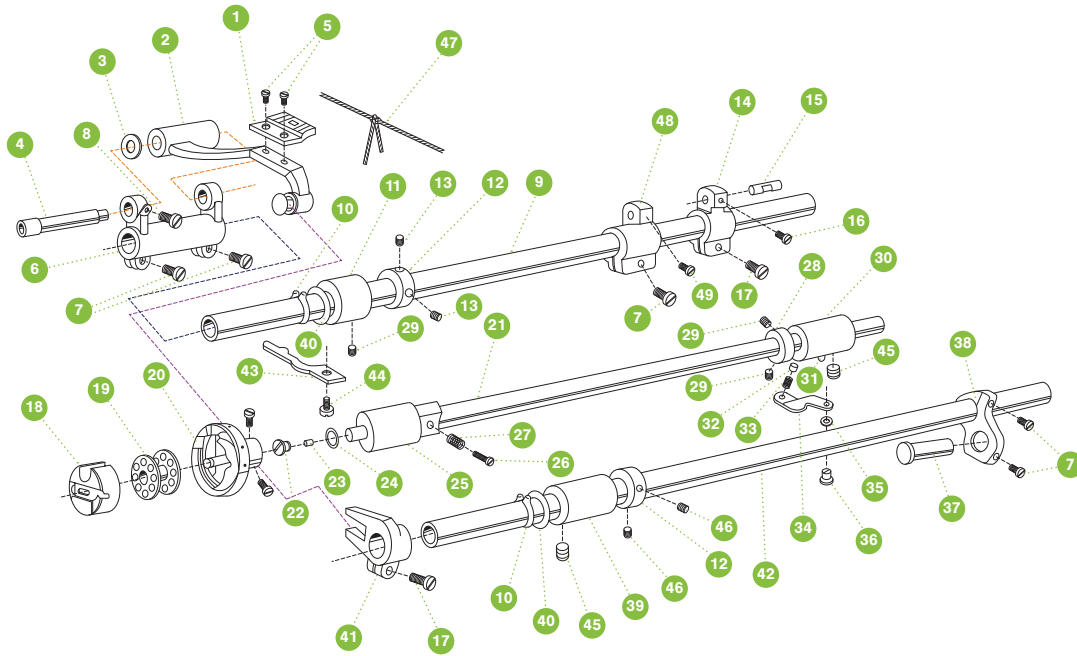
No.	Name	Part#	No.	Name	Part#
1.	Face Plate	35T4-402a	18.	Rubber Plug (5.7)	22T1-017
2.	Rubber Plug (19)	22T1-003C3	19.	Thread Take-up Lever Guard	33T4-007
3.	Rubber Plug (11.7)	22T1-003C4	20.	Lock Screw	22T2-004
4.	Thread Finger	22T1-003C5	21.	Needle Plate	110743
5.	Screw for Thread Finger	22T1-003C6	22.	Screw for Needle Plate	22T1-020
6.	Screw for Face Plate	22T1-004	23.	Slide Plate Assembly	120625
7.	Oil Window	22T1-008	24.	Bed Legs	7WF4-013
8.	Three Hole Thread Guide	36T2-004	25.	Washer	GB93 6
9.	Screw for Three Hole Thread Guide	36T2-005	26.	Back Cover	5WF3-002
10.	Small Thread Tension Assembly	104895	27.	Gasket for Back Cover	5WF3-003
11.	Thread Pass-by Plate	36T2-006DI	28.	Screw for Back Cover	22T1-006
12.	Screw for Small Tension Assembly	22T1-011	29.	Washer for Back Cover	22T1-007
13.	Large Thread Tension Assembly	103297	30.	Thread Guide	35T4-405
14.	Set Screw	22T1-013	31.	Thread Take Up Spring for Fabricator	20129
15.	Elongated Thread Finger	22T1-014	32.	Belt Cover Small Screw Washer	GB/T86 M4
16.	Rubber Plug (8.8)	22T1-015	33.	Belt Cover Small Screw	GB/T86 M3
17.	Rubber Plug (27)	22T1-016	34.	Belt Cover Large Screw	GB/T86 M5

Arm and Vertical Shafts, Needle bar Thread Take-up Parts



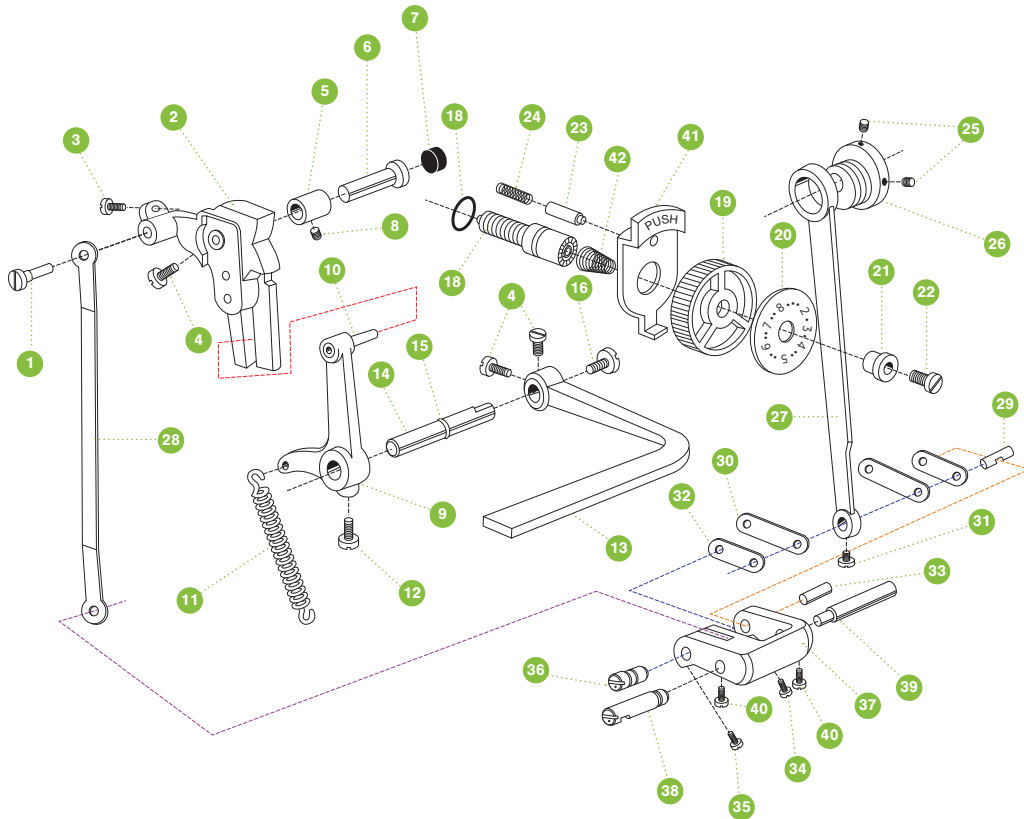
No. Name	Part#	No. Name	Part#
1. Upper Shaft.....	4WF1-001A	19. Bevel Gear for Lower Shaft	22T3-010E2b1-2
2. Rubber Bushing Plug.....	22T3-001A2	20. Lower Gear for Vertical Shaft.....	22T3-010E2b2-2
3. Collar	22T3-002B1	21. Upper Bushing.....	4WF1-003
4. Screw for Collar	22T3-002B2	22. Lower Bushing.....	33T1-023P
5. Front Bushing	4WF1-006A	23. Thread Take-up Lever Assembly.....	3T1-023A
6. Middle Bushing	4WF1-002	24. Screw for Bushing/Cam.....	61-04-01/B308
7. Screw for Middle Bushing.....	J0.0.40	25. Screw for Bushing.....	J0.0.5
8. Rear Bushing	22T3-005	26. Needle Bar.....	102503
9. Oil Seal for Rear Bushing	22T3-006F	27. Needle Bar Thread Guide.....	104099
10. Stitch PRO Balance Wheel.....	107161	28. Needle 135 x 17 (22)	153
11. Feed Dog Lift Cam.....	36T3-003D1	29. Needle Screw	103012
12. Screw for Cam.....	36T3-003D2	30. Posi-Pin Wheel Bushing for Fabricator.....	120624
13. Separating Cam Piece.....	36T3-004	31. Feed Cam	36T5-008E1
14. Front Feed Link.....	22T3-09D1C	32. Rear Feed Link	4WF2-009A
15. Vertical Shaft.....	15WF1-001	33. Posi-Pin Nut - Reverse Thread.....	100536
16. Bevel Gear for Upper Shaft	22T3-010E2a1-2	34. Posi-Pin Quick Release Shaft.....	102043
17. Upper Gear for Vertical Shaft.....	22T3-010E2a2-2	35. Set Screw for Posi-Pin Wheel Bushing.....	713100
18. Screw for Bevel Gears.....	22T2-005B3		

Feed Dog Lift and Feed and Thread Looping



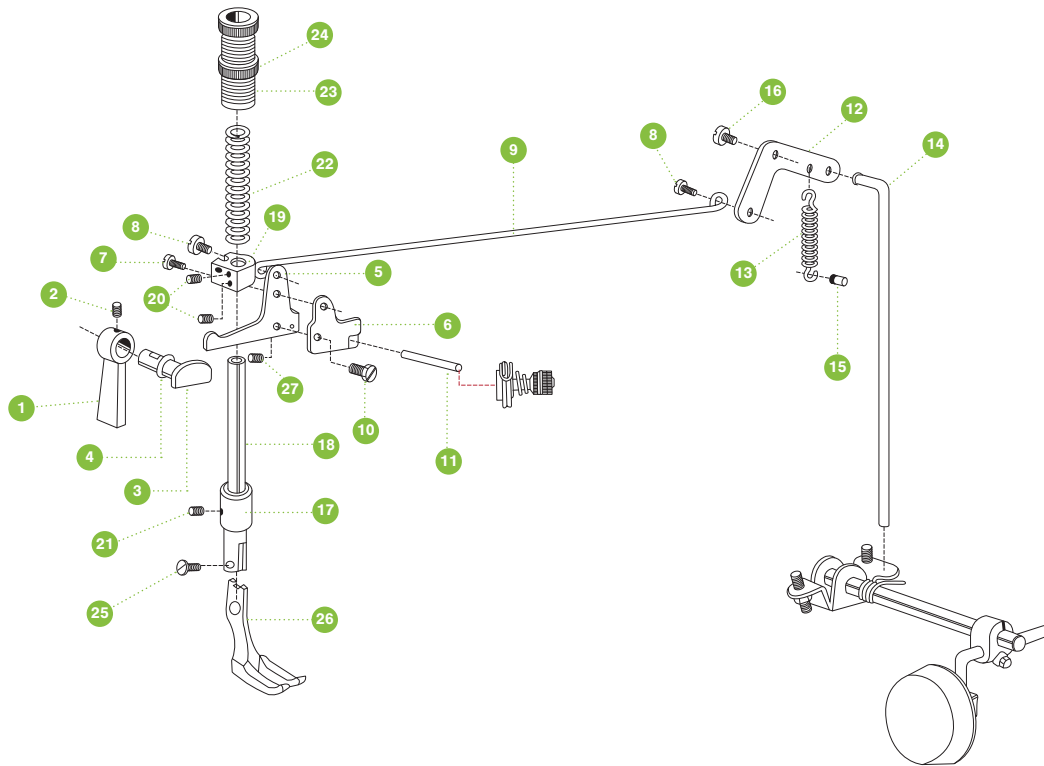
No.	Name	Part#	No.	Name	Part#
1.	Feed Dog	100387	25.	Front Lower Shaft Bushing	4WF1-05
2.	Feed Dog Support	36T4-001A1a	26.	Oil Regulating Screw for Hook	22T4-005
3.	Washer for Feed Dog Support	4WF2-011	27.	Spring for Oil Regulating Screw	22T4-006
4.	Eccentric Shaft for Feed Dog Support	36T4-001A2	28.	Collar for Lower Shaft	22T4-002B1
5.	Screw	J0.0.51	29.	Screw for Lower Feed	J0.0.35
6.	Feed Dog Support Crank	4WF2-002	30.	Rear Lower Shaft Bushing	4WF1-004
7.	Screw for Feed	61-04-01/B504	31.	Oil Tube Connector	22T4-007C2
8.	Positioning Screw	22T2-019	32.	Plunge for Rear Lower Shaft	36T4-015
9.	Feed Rock Shaft	36T4-002	33.	Spring for Rear Lower Shaft	36T4-016
10.	Stop Ring	GB894.1 15	34.	Stopper for Rear Lower Shaft	22T4-010
11.	Bushing for Feed Rock Shaft	22T6-004	35.	Washer	GB93 6
12.	Collar	22T3-002B1	36.	Screw for Stopper	22T9-006
13.	Screw for Collar	22T3-002B2	37.	Hinge Pin for Feed Lift Rear Crank	22T6-007
14.	Feed Shaft Rear Crank	4WF2-006	38.	Feed Lift Rear Crank	4WF2-003
15.	Link Pin for Feed Shaft Rear Crank	82T2-003C1a10-2	39.	Feed Lift Shaft Bushing	22T6-012
16.	Screw for Link Pin	36T5-008E5	40.	Washer for Feed Lift & Rock Shaft	51T5-013
17.	Screw for Crank	22T6-008D3	41.	Feed Lift Fork	36T4-018H101
18.	Bobbin Case	100742	42.	Feed Lift Shaft	36T4-018H2
19.	Bobbins (Style M)	651123	43.	Position Bracket	104476
20.	Rotary Hook	110742	44.	Screw for Position Bracket	22T4-015
21.	Lower Shaft	36T4-008D1	45.	Screw for Front & Rear Bushing	J0.0.05
22.	End Screw for Lower Shaft	22T4-001A1a1	46.	Screw for Collar	22T3-002B2
23.	Plug for End Screw	22T4-001A1a2	47.	Oil Wick	22T6-008D3
24.	Oil Seal for Front Lower Shaft	22T4-003	48.	Feed Shaft Front Crank	5WF4-002
			49.	Screw for Link	36T5-008E3

Feed Mechanism



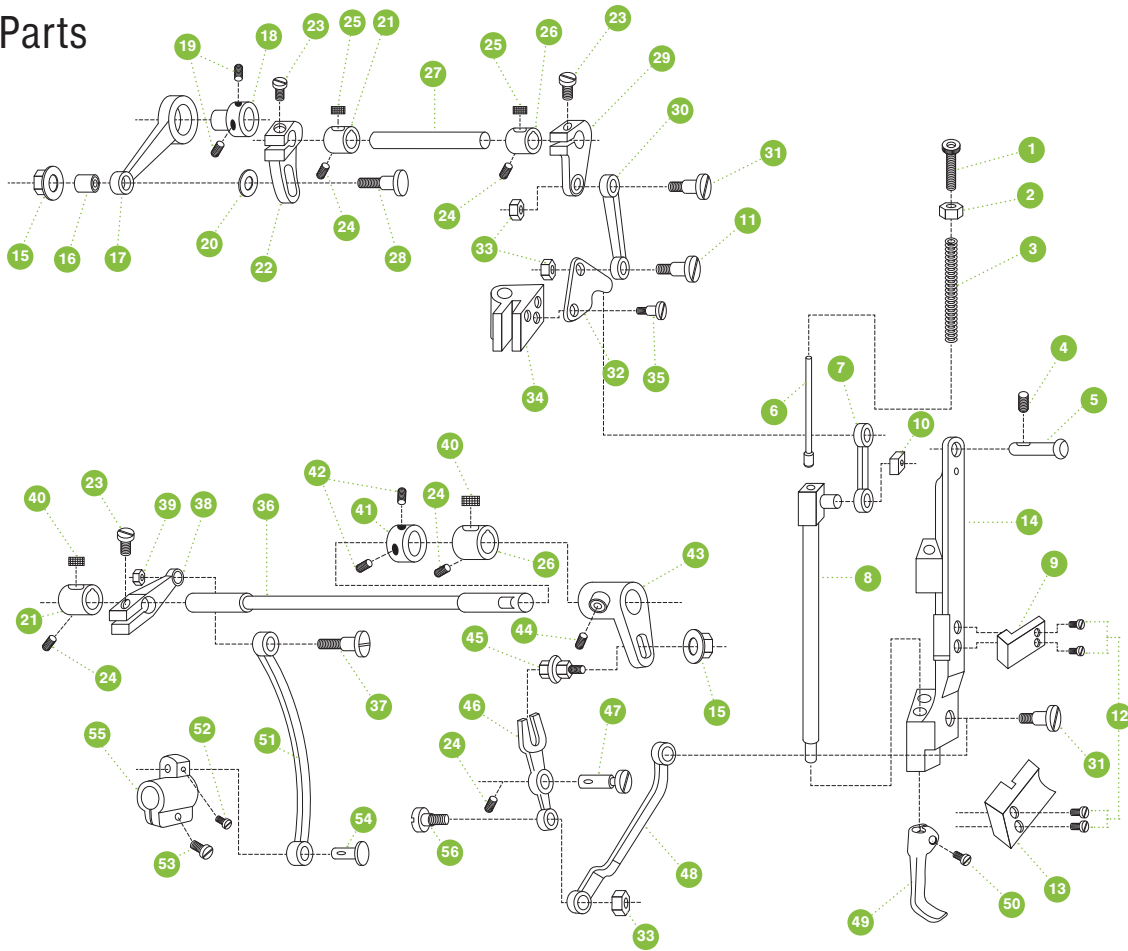
No. Name	Part#	No. Name	Part#
1. Link Pin for Stitch Length Bracket	4WF2-012	22. Screw for Stitch Dial	36T5-007D5
2. Stitch Length Bracket	7WF2-012	23. Stop Pin for Stitch Dial	36T5-012
3. Screw for Stitch Length Link Pin	20T2-031	24. Spring for Stitch Dial Stop Pin	22T5-009
4. Screw for Stitch Length	22T5-010D4	25. Screw for Cam	36T3-003D2
5. Bushing for Stitch Length Bracket Shaft	5WF1-003	26. Feed Cam	36T5-008E1
6. Shaft for Stitch Length Bracket	22T5-004	27. Rear Feed Link	4WF2-009A
7. Rubber Plug (18)	36T5-003	28. Stitch Adjusting Link	4WF2-009B
8. Screw for Bushing	J0.0.5	29. Pin for Rear Feed Link	1a10-I
9. Reverse Feed Lever Crank	7WF2-009	30. Link for Rear Feed Link	36T5-008E4H02
10. Reverse Feed Lever Crank Shaft	22T5-012E1a1	31. Screw for Link Pin	36T5-008E5
11. Spring for Reverse Feed Lever Crank	1KT3-002	32. Link for Stitch Length Adjusting Crank	36T5-008E4H01
12. Screw for Reverse Feed Lever Crank	22T5-013	33. Pin for Stitch Length Adjusting Crank Link	36T5-008E6
13. Reverse Feed Lever	4WF2-007A	34. Screw for Stitch Length Crank Link Pin	36T5-008E7
14. Pin Shaft for Reverse Feed Lever	22T5-010D2a	35. Screw for Stitch Length Slotted Cam	36T5-008E8
15. O-type Ring for Reverse Feed Lever Pin Shaft	GB345 2.1 6.3x1.8G	36. Stitch Length Slotted Cam	36T5-008E9
16. Screw for Reverse Feed Lever	22T5-010D3	37. Stitch Length Adjusting Crank	36T5-008E10
17. Screw Bolt for Stitch Length	36T5-007D1	38. Left Set Pin	5WF1-002
18. O-type Rubber Ring for Screw Bolt	33T2-030-A	39. Right Set Pin	5WF1-001
19. Stitch Dial Wheel	36T5-007D2	40. Screw for Crank	22T6-008D3
20. Stitch Dial Face	4WF2-004A	41. Stitch Length Push Lever	36T5-011
21. Bushing for Stitch Dial	36T5-007D4	42. Spring for Stitch Dial	36T5-010

Presser Foot



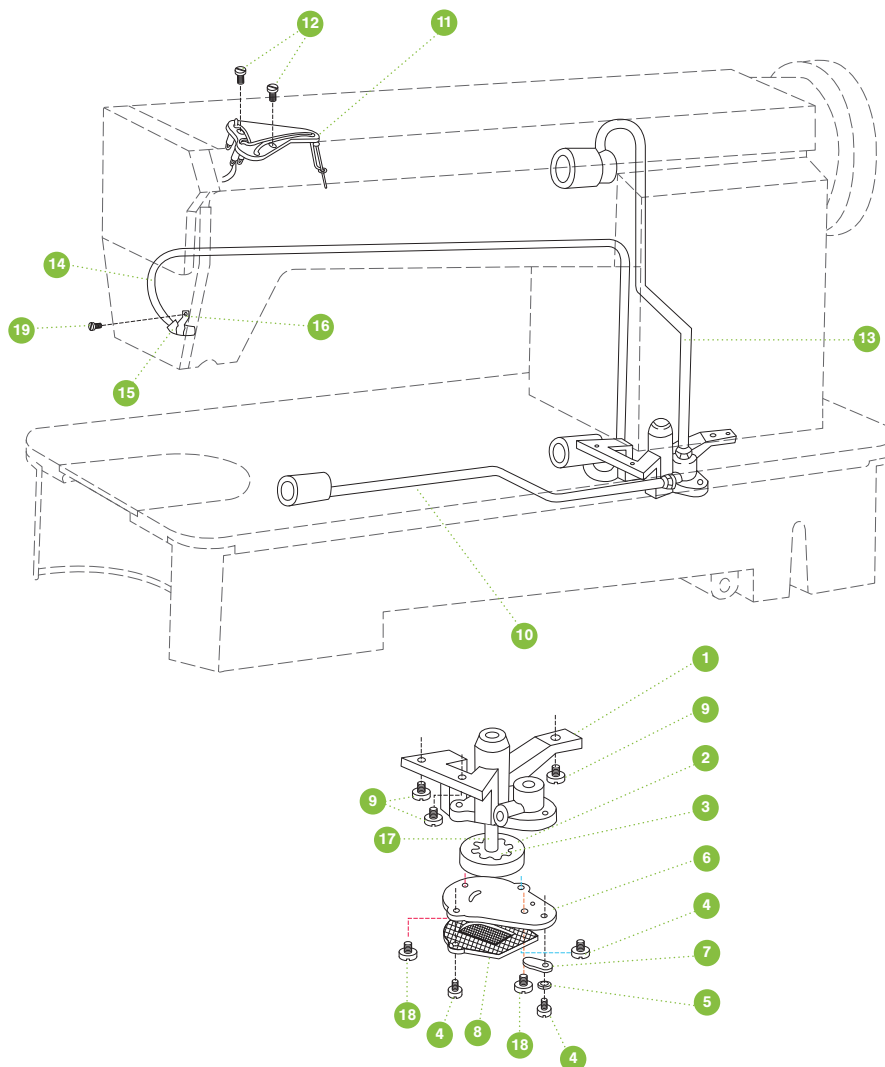
No.	Name	Part#	No.	Name	Part#
1.	Presser Foot Lift	33T-003	15.	Pin for Knee Lift Lever Spring	22T7-005B
2.	Screw for Presser Foot Lift	22T1-011	16.	Pivot Screw for Knee Lift Lever	35T3-303
3.	Presser Foot Lift Cam	4WF3-002	17.	Bushing for Outer Presser Bar	34T3-305
4.	Oil Seal for Presser Foot Lift Cam	22T7-004B1	18.	Presser Bar for Outer Foot	35T3-302
5.	Presser Foot Lift Lever	22T7-004B1b	19.	Presser Bar Lift Block	35T3-301
6.	Thread Releasing Cam	22T7-004B1c	20.	Screw for Presser Bar Lift Block	22T2-013
7.	Screw for Presser Foot Lift Lever	22T7-004B2	21.	Screw for Outer Presser Bar Bushing	34T3-302
8.	Screw for Knee Lifter Draw Bar	22T7-004B3	22.	Tension Spring for Outer Presser Bar	34T3-301
9.	Knee Lift Draw Bar	22T7-005A	23.	Outer Foot Presser Regulating Thumb Screw	1KT4-001
10.	Screw for Thread Releasing Cam	22T7-006	24.	Nut for Outer Presser Regulating Thumb Screw	1KT4-002
11.	Thread Releasing Pin	35T3-305	25.	Screw for Outer Presser Foot	61-04-01/B316
12.	Knee Lift Lever	22T7-007C2	26.	Outer Presser Foot	35T3-304
13.	Spring for Knee Lift Lever	4WF3-001	27.	Lock Screw for Bushing/Cam	61-04-01/B308
14.	Knee Lift Connecting Rod	1KT4-006			

Upper Feed Parts



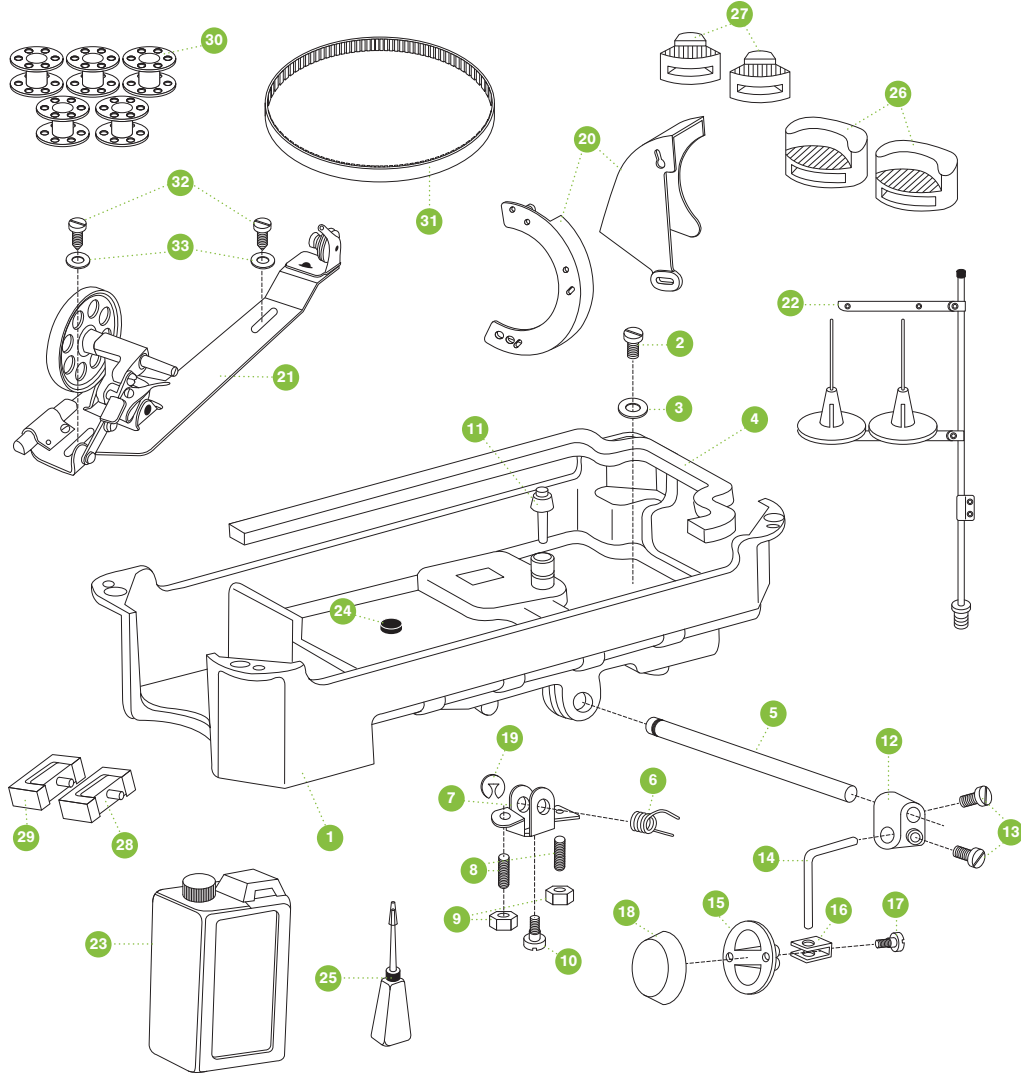
No.	Name	Part#	No.	Name	Part#
1.	Inner Foot Regulating Thumb Screw	35T5-503	29.	Front Needle Motion Shaft Crank	34T5-535
2.	Nut for Inner Foot Regulating Thumb Screw	34T5-503	30.	Link for Upper Needle Motion Shaft	34T5-534
3.	Tension Spring for Inner Foot Bar	35T5-501	31.	Screw for Forward Needle Motion Links	34T5-507
4.	Screw for Needle Bar Bracket Pivot Pin	J0.0.40	32.	Presser Foot Lift Plate	35T5-506
5.	Pivot Pin for Needle Bar Bracket	35T5-504	33.	Nut for Forward Needle Motion Links	34T5-508
6.	Reel for Tension Spring	35T5-505	34.	Presser Bar Lift Block	35T3-301
7.	Link for Inner Foot Bar	35T5-507	35.	Screw for Presser Foot Lift Plate	34T5-527
8.	Presser Bar for Inner Foot	35T5-508	36.	Lower Needle Bar Motion Shaft	34T5-539
9.	Sliding Box for Inner Foot Bar	6WF5-002	37.	Screw for Lower Rear Needle Motion Crank	17T4-002
10.	Sliding Block for Inner Foot Bar	33T1-013	38.	Lower Rear Needle Motion Shaft Crank	5WF4-004
11.	Screw for Upper Needle Motion Link	34T5-513b	39.	Nut for Lower Rear Needle Motion Crank	J0.0.63
12.	Positioning Screw	22T2-019	40.	Oil Felt for Lower Needle Motion Bushings	34T5-538b
13.	Sliding Box for Needle Motion Bracket	35T5-511	41.	Collar for Lower Needle Motion Shaft	34T5-532
14.	Needle Bar Motion Frame	6WF5-001	42.	Screw for Collar	22T3-002B2
15.	Nut for Inner Foot Bar Feed	34T5-518	43.	Lower Front Needle Motion Crank	34T5-533
16.	Washer for Inner Foot Bar Feed Nut	34T5-519	44.	Screw for Lower Front Needle Motion	34T5-541
17.	Link for Inner Foot Eccentric Cam	34T5-520	45.	Sliding Block for Needle Motion Fork	34T5-531
18.	Inner Foot Eccentric Cam	34T5-516	46.	Fork Lever for Needle Motion	34T5-529
19.	Set Screw	22T1-013	47.	Pin for Needle Motion Fork Lever	34T5-530
20.	Washer for Needle Motion Components	34T5-521	48.	Link for Lower Needle Motion Shaft	35T5-512
21.	Rear Bushing for Upper/Lower Needle Motion	34T5-538a	49.	Inner Presser Foot	35T5-502
22.	Upper Rear Needle Motion Crank	34T5-517	50.	Lock Screw	22T2-004
23.	Screw for Needle Motion Cranks	34T5-540	51.	Link for Feed Shaft Front Crank	5WF4-003
24.	Screw for Bushing/Cam	61-04-01/B308	52.	Screw for Link	36T5-008E3
25.	Oil Felt For Upper Needle Motion Bushings	34T5-536b	53.	Screw for Feed	61-04-01/B504
26.	Front Bushing for Upper/Lower Needle Motion	34T5-536a	54.	Connecting Pin for Feed Shaft Front Crank	5WF4-001
27.	Upper Needle Motion Shaft	34T5-537	55.	Feed Shaft Front Crank	5WF4-002
28.	Screw for Needle Motion Components	34T5-522	56.	Screw for Needle Bar Motion Fork Lever	34T5-513a

Oil Pump



No.	Name	Part#	No.	Name	Part#
1.	Oil Pump	15WF4-003	11.	Oil Wick Plate	33T4-018
2.	Large Gear for Oil Pump	15WF4-006	12.	Screw for Oil Wick Plate	22T8-012
3.	Small Gear for Oil Pump	15WF4-007	13.	Upper Oil Pipe	22T8-013D
4.	Screw for Oil Filter	GB/T67 M3X10	14.	Oil Tube	22T8-014
5.	Washer for Oil Regulating Plate	GB93 4	15.	Oil Tube Felt	22T8-015
6.	Cover for Oil Pump	15WF4-004	16.	Clamp for Oil Felt Tube	22T8-016
7.	Oil Regulating Plate	22T8-007	17.	Shaft for Large Oil Pump Gear	15WF4-005
8.	Oil Filter	22T8-008A	18.	Screw for Oil Pump Cover	GB/T68 M3X10
9.	Screw for Oil Pump	22T8-009	19.	Screw for Oil Tube Felt Clamp	20T4-006
10.	Lower Oil Pipe	4WF4-005			

Oil Reservoir & Accessories



No. Name	Part#	No. Name	Part#
1. Oil Tray	4WF5-001	18. Pad for Knee Lift Plate	22T9-003B8
2. Screw for Oil Tray Drain.....	22T9-001A2	19. Stop Ring for Knee Lift Hinge Pin	GB896 9
3. Washer Oil Tray Drain Screw	22T9-001A3	20. Belt Cover for Professional & Fabricator	120616
4. Gasket for Oil Tray	2KT9-008	21. Bobbin Winder	103276
5. Hinge Shaft for Knee Lift.....	22T9-001A6	22. Thread Stand	14F0-00
6. Spring for Knee Lift Stop Bracket	22T9-001A7	23. Oil Jug.....	22T9-017
7. Knee Lift Stop Bracket	22T9-001A8	Refill Oil for Sewing Machines	23800
8. Screw for Knee Lift Stop Bracket	22T9-001A9	24. Magnet for Oil Tray	22T9-012
9. Nut for Knee Lift Stop Bracket Screw	22T9-001A10	25. Oil Spout	33TF-011
10. Stop Bracket Attachment Screw	22T9-036	26. Front Corner Cushion	429
11. Knee Lift Post Connector	4WF5-002	27. Back Corner Cushion	438
12. Knee Lift Connector	22T9-003B3	28. Machine Hinge.....	22T9-007F1
13. Screw for Knee Lift Connector	GB/T5781 M6X12 M6X20	29. Rubber Cushion for Machine Hinge.....	22T9-007F2
14. Bent Rod for Knee Lift	22T9-003B2	30. Bobbins (Style M)	651123
15. Knee Lift Plate	22T9-003B5	31. Timing Belt.....	120580
16. Knee Lift Bracket	22T9-003B6	32. Wood Screw for Bobbin Winder.....	GB5282 ST4.8X19
17. Screw for Knee Lift Bracket	22T9-003B7	33. Washer for Bobbin Winder Screw	GB/T95 6