

Sailrite Edge Hotknife

The Sailrite Edge Hotknife is designed to separate and cut lengths of rope, webbing, bands or synthetic fabrics and cords. Do not use on natural fibers like cotton or hemp. The hot cutting blade cuts quickly and precisely and provides a clean, sealed edge. Always use with an insular cutting surface or the cutting foot.

Operation & Use

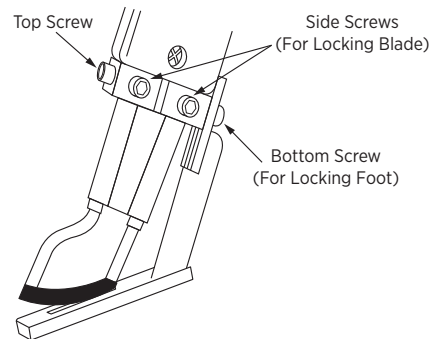
1. Loosen the top and bottom locking screws (while hotknife is cold).
2. Insert both legs of the cutting blade. Spread or squeeze the posts slightly as required. (The fit may be tight.)
3. Insert the cutting foot under the bottom blade lock screw (if desired). Position the foot so the blade is centered halfway down into the opening (creating a scissor-like shape). The cutting blade should not touch the cutting foot on any side.
4. Insert the side locking screws (included with the cutting foot) and then tighten all locking screws to hold the blade and foot in place. Improper blade installation will keep the hotknife from heating up.
5. Check the voltage then plug in the tool.
6. Press down the switch to heat up the cutting blade. Do not hold the switch down continuously. Allow the blade to cool down intermittently during operation to avoid over-heating.
7. Use at 15-second intervals and allow to cool for about 3 seconds in between.
8. Release the switch and allow the blade to cool down after use.
9. Unplug the hotknife when not in use.
10. To remove only the cutting foot, loosen the bottom locking screw. Leave the other screws tight.
11. Clean the cutting blade with the enclosed wire brush.

Specifications

Voltage:	AC110V/60Hz or 220-240V/50Hz
Weight:	2lbs. 3oz.
Power:	MAX.60W
Power cord length:	9'4"
Intermittent Operation:	15 seconds

Kit Includes:

- Sailrite Edge Hotknife Body
- R Blade
- Cutting Foot
- Plastic Carrying Case
- Wire Brush
- Hex Key



Guarantee

Sailrite warrants this hotknife (with exception of the blades) for a period of 1 year starting from the date of sale. The guarantee is given against defects in material and workmanship. This warranty is voided by improper use, disassembly, repair or alteration by owner or unauthorized parties.

Sailrite Edge Hotknife

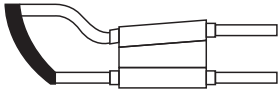
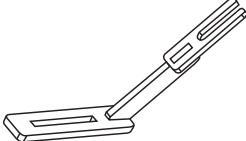
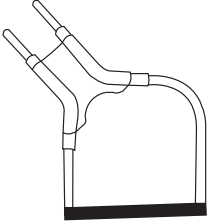
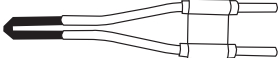
Safety Cautions

- Always operate the hotknife in a well-ventilated space.
- Do not operate in unfavorable conditions (avoid high moisture, humidity, dust, flammable gases, fumes or solvents).
- Avoid direct short circuit between cutting heads.
- Always ensure the blade is fully connected to the cutting material before cutting blades get hot.
- Keep hot blades away from skin, cloth and flammable materials.
- Do not use with metal rulers.
- Do not cut PVC or PVC-coated material.
- Never burn off excess residue on cutting blade. Blades will over-heat and warp.
- Allow blades to cool before handling. Hotknife may cause injury or burns to exposed surfaces.
- Internal thermal protectors will turn the hotknife off if over-heating. The hotknife will be operational after cooling down.
- Do not modify, disassemble, damage or destroy the hotknife.
- Do not modify the plug in any way. If the plug does not fit fully in the outlet, reverse the plug, If it still does not fit, contact a qualified electrician.
- Running the hotknife continuously for long periods of time will warp the blades.
- Always unplug the hotknife and remove the blade when you are finished using it.

Disposal

Do not dispose of this hotknife in household refuse. Return an unusable device to the supplier, the manufacturer or an official disposal institution equipped for this purpose.

Blades

R blade #103801 (Included)		Standard Blade
Cutting Foot #103802 (Included)		Use with the R blade to eliminate the need for a sacrificial cutting surface.
F Blade #104097 (Not Included)		Use to make quick, straight cuts of webbing, rope and narrow tape and trim.
HSO Blade #4325 (Not Included)		Use to cut sharp corners and detail work.

