

ITEM LBRU-1½" BUKL H-DTY

DATE 06/2012

YKK®
YKK (USA) INC. MACON
PRODUCT DATA SHEET

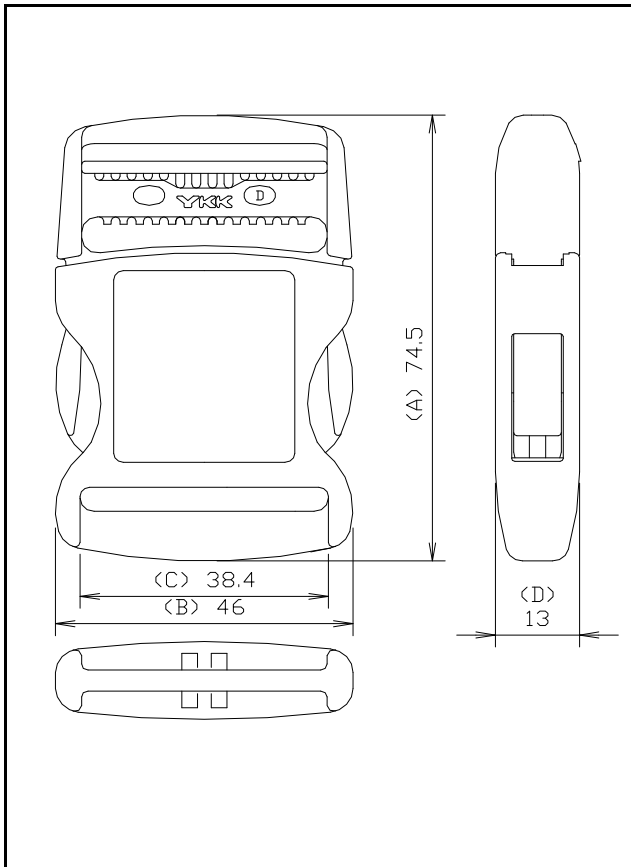
BUCKLE & NOTIONS

STRENGTH (Avg)

	AVG. KG	AVG. LB
BREAK STRENGTH	140	308
SLIPPAGE (at break)	< 1"	
RELEASE FORCE		

DIMENSIONS

	MM	INCH
A	74.5	2.9
B	46.00	1.8
C	38.40	1.5
D	13.00	0.5



MATERIAL & CONSTRUCTION

POLYACETAL RESIN
PLASTIC INJECTION

PROPERTIES

COLOR FASTENERS	WASH	AATCC - 5
	DRYCLEAN	AATCC - 5
	WEATHERING 100 Hrs.	AATCC - 4 - 5
MELTING POINT (° F)		347 ° F
CHEMICAL RESISTANCE	SOLVENTS	Excellent resistance to a wide variety
	ACIDS/ALKALI	Not recommended outside the pH range of 4 ~ 9
IMPACT (NOTCHED IZOD)	-40 (° F)	1.2 FT LB/IN
	73 (° F)	1.4 FT LB/IN
U.L. APPROVAL FOR PFD	YES	USAGE CODE: 2, 2F, 3, 3F, 5, 5H, 5WV COLOR: ANY

NOTICE - DISCLAIMER

696,0100

ANY INFORMATION CONTAINED HEREIN IS FOR THE SOLE PURPOSE OF PROVIDING PURCHASER WITH GENERAL KNOWLEDGE ABOUT YKK PRODUCTS, YKK DOES NOT MAKE ANY WARRANTY OF ANY KIND, NEITHER EXPRESS OR IMPLIED, AS TO THE PRODUCTS, PRODUCT PRICES OR OTHERWISE.