

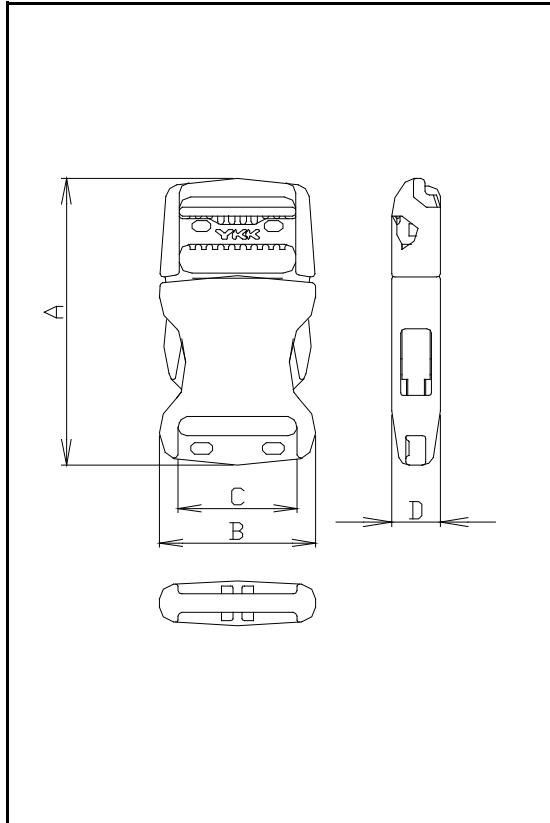
ITEM           LBRU 1"          

DATE           12/2012          



**YKK (USA) INC. MACON  
PRODUCT DATA SHEET**

**BUCKLE & NOTIONS**



<b>STRENGTH TESTING</b>		<b>AVERAGE of RESULTS</b>
BREAKING STRENGTH		281 Lb
LOAD TEST (at 150 lb)		10 min. - pass
SLIPPAGE (at 150 lb)		< 1"
FATIGUE, 5000x		250
<b>CHEMICAL EXPOSURE:</b>		
• Perchloroethylene	70 Hr.	264
• Deisel Fuel	70 Hr.	
• Detergent	70 Hr.	
• Oil	70 Hr.	

**DIMENSIONS**

	MM	INCH
A	67.4	2.7
B	34.0	1.3
C	25.9	1.0
D	10.7	0.4

**MATERIAL & CONSTRUCTION**

POLYACETAL RESIN
PLASTIC INJECTION

**PROPERTIES**

COLOR FASTENERS	WASH	AATCC - 5
	DRYCLEAN	AATCC - 5
	WEATHERING 100 Hr	AATCC - 4 - 5
MELTING POINT (° F)		347 ° F
CHEMICAL RESISTANCE	SOLVENTS	Excellent resistance to a wide variety of solvents
	ACIDS/ALKALI	Not recommended outside the pH range of 4 ~ 9
IMPACT (NOTCHED IZOD)	-40 (° F)	1.1 ft-lbf/in.
	73 (° F)	1.4 ft-lbf/in.
FLAMMABILITY (FMVSS 302)		Not tested
MATERIAL FATIGUE	5000 Cycles - UL 1191	Opening & Closing test - no failure.
U.L. APPROVAL FOR PFD		YES for Use Codes: 2, 3, & 5R

0100

NOTICE - DISCLAIMER

ANY INFORMATION CONTAINED HEREIN IS FOR THE SOLE PURPOSE OF PROVIDING PURCHASER WITH GENERAL KNOWLEDGE ABOUT YKK PRODUCTS, YKK DOES NOT MAKE ANY WARRANTY OF ANY KIND, NEITHER EXPRESS OR IMPLIED, AS TO THE PRODUCTS, PRODUCT PRICES OR OTHERWISE.