

ITEM LKE 1"

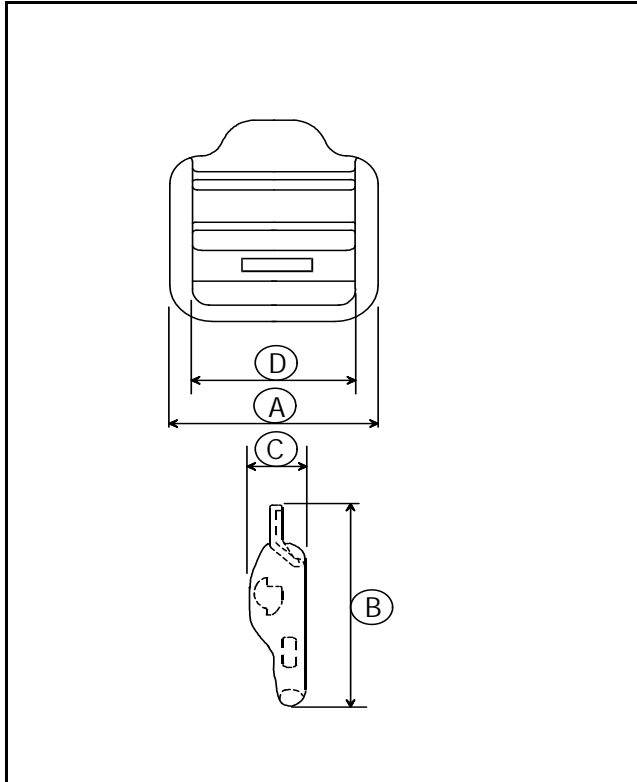
DATE 01/2009

YKK[®]

YKK(USA)INC. MACON

PRODUCT DATA SHEET

BUCKLE & NOTIONS



STRENGTH

		AVG KG	AVG LB
BREAK STRENGTH	70° F	75.43	166.3
	250° F		
SLIPPAGE (at break)		< 1"	
RELEASE FORCE			

DIMENSIONS

	MM	INCH
A	31.95	1.3
B	34.7	1.4
C	8.8	0.3
D	25.36	1.0

MATERIAL & CONSTRUCTION

DELRIN
PLASTIC INJECTION

PROPERTIES

COLOR FASTENERS	WASH	AATCC - 5
	DRYCLEAN	AATCC - 5
	WEATHERING 100 Hrs.	AATCC - 4 - 5
MELTING POINT (° F)		347 ° F
CHEMICAL RESISTANCE	SOLVENTS	Excellent resistance to a wide variety
	ACIDS/ALKALI	Not recommended outside the pH range of 4 ~ 9
IMPACT (NOTCHED IZOD)	-40 (° F)	1.2 FT LB/IN
	73 (° F)	1.4 FT LB/IN
FLAMMABILITY (FMVSS 302)		AVG 1.9 INCH/MIN
U.L. APPROVAL FOR PFD		NO

NOTICE - DISCLAIMER

0100

ANY INFORMATION CONTAINED HEREIN IS FOR THE SOLE PURPOSE OF PROVIDING PURCHASER WITH GENERAL KNOWLEDGE ABOUT YKK PRODUCTS, YKK DOES NOT MAKE ANY WARRANTY OF ANY KIND, NEITHER EXPRESS OR IMPLIED, AS TO THE PRODUCTS, PRODUCT PRICES OR OTHERWISE.