

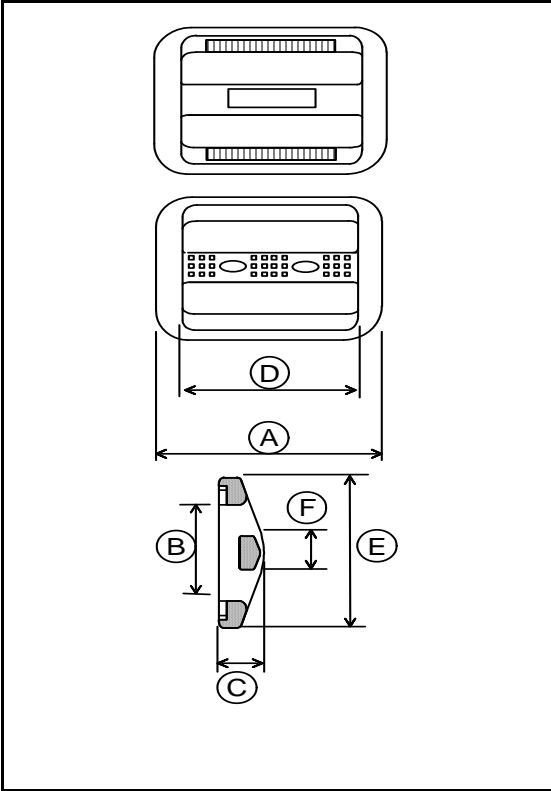
ITEM LAU 3/4

DATE 01/2008



**YKK(USA)INC. MACON
PRODUCT DATA SHEET**

BUCKLE & NOTIONS



STRENGTH

		AVG KG	Avg. Lbs.
BREAK STRENGTH	70 ° F	73.5	162
	250 ° F		
SLIPPAGE (at break)		< 1"	
RELEASE FORCE			

DIMENSIONS

	MM	INCH
A	25.34	1.0
B	14.01	0.6
C	4.60	0.2
D	19.50	0.8
E	21.75	0.9
F	4.80	0.2
G		

MATERIAL & CONSTRUCTION

DELRIN
PLASTIC INJECTION

PROPERTIES

COLOR FASTENERS	WASH	AATCC - 5
	DRYCLEAN	AATCC - 5
	WEATHERING 100 Hr	AATCC - 4 - 5
MELTING POINT (° F)		347 ° F
CHEMICAL RESISTANCE	SOLVENTS	Excellent resistance to a wide variety
	ACIDS/ALKALI	Not recommended outside the pH range of 4 ~ 9
IMPACT (NOTCHED IZOD)	-40 (° F)	1.2 FT LB/IN
	73 (° F)	1.4 FT LB/IN
FLAMMABILITY (FMVSS 302)		AVG 1.9 INCH/MIN
U.L. APPROVAL FOR PFD		NO

NOTICE - DISCLAIMER

ANY INFORMATION CONTAINED HEREIN IS FOR THE SOLE PURPOSE OF PROVIDING PURCHASER WITH GENERAL KNOWLEDGE ABOUT YKK PRODUCT 594,0100
MAKE ANY WARRANTY OF ANY KIND, NEITHER EXPRESS OR IMPLIED, AS TO THE PRODUCTS, PRODUCT PRICES OR OTHERWISE.